

# Installation, Operation and Maintenance Instructions

# Model 3656/3756



## Table of Contents

SUBJECT	PAGE
Safety Instructions .....	2
Description and Specifications .....	2
Engineering Data .....	2
Installation .....	2
Location .....	2
Close-Coupled Units .....	2
Frame-Mounted Units .....	3
SAE Engine Driven Pumps .....	3
Coupling Alignment .....	3
Frame-Mounted Units Only .....	3
Piping .....	4
Suction .....	4
Discharge .....	4
Wiring and Grounding .....	4
Rotation .....	4
Operation .....	4
Maintenance .....	5
Disassembly .....	5
Reassembly .....	6
Packed Box Instructions .....	6
Trouble Shooting .....	7
Repair Parts .....	8
Limited Warranty .....	12

## Owner's Information

Please fill in information and give this booklet to homeowner.  
Warranty information is on page 12.

Model Number: \_\_\_\_\_

Serial Number: \_\_\_\_\_

Dealer: \_\_\_\_\_

Dealer's Phone No. \_\_\_\_\_

Date of Purchase: \_\_\_\_\_ Installation Date: \_\_\_\_\_

## SAFETY INSTRUCTIONS

**TO AVOID SERIOUS OR FATAL PERSONAL INJURY OR MAJOR PROPERTY DAMAGE, READ AND FOLLOW ALL SAFETY INSTRUCTIONS IN THE MANUAL AND ON THE PUMP.**



This is a **SAFETY ALERT SYMBOL**. When you see this symbol on the pump or in the manual, look for one of the following signal words and be alert to the potential for personal injury or property damage.



**DANGER** Warns of hazards that **WILL** cause serious personal injury, death or major property damage.



**WARNING** Warns of hazards that **CAN** cause serious personal injury, death or major property damage.



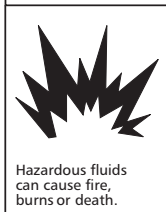
**CAUTION** Warns of hazards that **CAN** cause personal injury or property damage.

**NOTICE: INDICATES SPECIAL INSTRUCTIONS WHICH ARE VERY IMPORTANT AND MUST BE FOLLOWED.**

**THIS MANUAL IS INTENDED TO ASSIST IN THE INSTALLATION AND OPERATION OF THIS UNIT. THOROUGHLY REVIEW ALL INSTRUCTIONS AND WARNINGS PRIOR TO PERFORMING ANY WORK ON THIS PUMP.**

**MAINTAIN ALL SAFETY DECALS.**

**NOTICE: INSPECT UNIT FOR DAMAGE AND REPORT ALL DAMAGE TO CARRIER IMMEDIATELY.**



Hazardous fluids can cause fire, burns or death.

**UNIT NOT DESIGNED FOR USE WITH HAZARDOUS LIQUIDS OR FLAMMABLE GASES.**

## DESCRIPTION and SPECIFICATIONS

The series 3656/3756 are single stage, end suction, centrifugal pumps for general liquid transfer, booster applications, irrigation and general service pumping. Pumps are available in three different materials of construction: all iron, bronze-fitted and all bronze ("S" group only).

Pump impellers are fully enclosed, key driven and held in position by an impeller bolt and washer. Casings are full volute in design with replaceable wear rings.

Dependant on the pump size, the suction and discharge connections will be threaded or flanged. Shafts are protected with stainless steel shaft sleeves.

Close-coupled units have NEMA standard JM or JP motors with C-face mounting and key driven shaft extension. SAE drive units bolt directly to the engine flywheel housing for SAE sizes 1, 2, 3, 4 or 5. Optional elastomer element couplings are available for 6½, 7½, 8, 10, 11½ and 14 inch flywheels. Frame mounted units can be coupled to motors through a spacer coupling, or belt driven.

## Engineering Data

Maximum Liquid Temperature:

212° F (100° C) – standard seal or packing

250° F (120° C) – Optional high temp. seal

Maximum Working Pressure (table 1):

– NPT connections, 200 PSI (1379 kPa)

– 125# ANSI flanged connections, 175 PSI (1207 kPa)

Maximum Suction Pressure: 100 PSI (689.5 kPa)

Starts per Hour: 20, evenly distributed

Group	Size	Suction	Discharge
S	1½ x 2-6 (H)	2" NPT	1½" NPT
	1 x 2-7	2" NPT	1" NPT
	2½ x 3-7	3" NPT	2½" NPT
	3 x 4-7	4" Flange	3" Flange
	1 x 2-8	2" NPT	1" NPT
LH	1½ x 2-8	2" NPT	1½" NPT
	2 x 2-5	2" NPT	2" NPT
	2½ x 2½-5	2½" NPT	2½" NPT
M	3 x 3-5	3" NPT	3" NPT
	2½ x 3-8	3" NPT	2½" NPT
	3 x 4-8	4" Flange	3" Flange
	4 x 5-8	5" Flange	4" Flange
	1½ x 2-10	2" NPT	1½" NPT
	2½ x 3-10	3" Flange	2½" Flange
	3 x 4-10	4" Flange	3" Flange
	4 x 6-10	6" Flange	4" Flange
	2½ x 3-13	3" Flange	2½" Flange
	3 x 4-13	4" Flange	3" Flange
L	4 x 6-13	6" Flange	4" Flange
	6 x 8-13	8" Flange	6" Flange
	8 x 10-13	10" Flange	8" Flange
	4 x 6-16	6" Flange	4" Flange

## Installation

### LOCATION

- Locate the pump as near liquid source as practical; below level of liquid for automatic repriming capability.
- Allow adequate space for servicing and ventilation. Protect the unit from weather and water damage due to rain, flooding or freezing temperatures.
- Protect the pump and piping from freezing temperatures.
- Allow adequate space around the unit for service and ventilation.

### CLOSE-COUPLED UNITS

- Units may be installed horizontally, inclined or vertically with the motor above the pump.
- The motor feet **MUST** be bolted to a substantial surface (horizontal or vertical) that is capable of complete and rigid support for the pump and motor. For L-Group pumps, the motor adapter feet must also be bolted to the supportive surface.
- For vertical operation, the motor should be fitted with a drip cover or otherwise protected against liquid entering the motor (rain, spray, condensation, etc.)

**NOTICE: DO NOT INSTALL WITH MOTOR BELOW PUMP. ANY LEAKAGE OR CONDENSATION WILL AFFECT THE MOTOR.**

## FRAME-MOUNTED UNITS

- A flat substantial foundation surface **MUST** be provided to avoid distortion and/or strain when tightening the foundation bolts. A rubber mounting is acceptable to reduce noise or excessive vibration.
- Tighten motor hold-down bolts **BEFORE** connecting piping to pump.

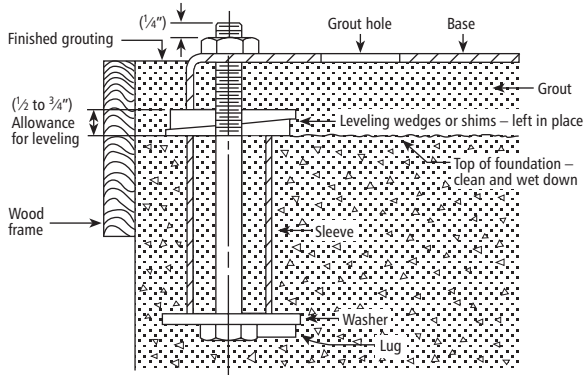


Figure 1

- Baseplate **MUST** be grouted to a foundation with solid footing. Refer to Figure 1.
- Place unit in position on wedges located at four points, two below approximate center of driver and two below approximate center of pump. Adjust wedges to level unit. Level or plumb suction and discharge connections.
- Make sure bedplate is not distorted and final coupling alignment can be made within the limits of movement of motor and by shimming, if necessary.
- Tighten foundation bolts finger tight and build dam around foundation. Pour grout under bedplate making sure the areas under the pump and motor feet are filled solid. Allow grout to harden 48 hours before fully tightening foundation bolts.
- Tighten pump and motor hold-down bolts before aligning shaft or connecting the piping to pump.
- Allow grout to harden for 48 hours before tightening 4 foundation bolts.

### SAE – Engine Driven Pumps

The SAE engine drive bearing frame is designed to bolt directly to the flywheel housing for engines with an SAE no. 1, 2, 3, 4 or 5 mount. The pump shaft extension is sized for use with couplings bolted directly to the flywheel. Goulds Pumps optional couplings are sized for 6½", 7½", 8", 10", and 14" flywheels. Although other flywheel mount couplings may be used, it is recommended that the Goulds Pumps coupling be used to ensure long and trouble-free operation from your Goulds Pump.

### INSTALLATION

- The pump may be installed horizontally, with the discharge rotated to any position allowed by the casing bolt pattern (371). It is recommended that the discharge be located horizontally, above the suction.
- The casing must be supported on all pumps by a rigid support which is anchored to the unit base or foundation.
- For M-Group pumps it is recommended that this support is bolted to the motor adapter ring using 2 or more of the casing bolts (371). It is likely that longer bolts will be required for the additional support thickness. Use SAE grade 5 bolts, torqued as indicated in this manual.
- For L-Group pumps it is recommended that the pump is supported beneath the two feet cast into the motor adapter (108). These feet must be bolted to the support.
- Begin the assembly of the pump to the engine by thoroughly cleaning the engine flywheel and flywheel housing.
- For Goulds Pumps optional couplings – Ensure that the coupling hub set screw is backed out enough to ensure clearance for the shaft key during assembly. Mount the coupling assembly to the engine flywheel using the bolts provided torqued as follows in a crossing sequence:
  - 6½" or 7½" Flywheel – 11 lbs.-ft. (15 N·m)
  - 8", 10" or 11½" Flywheel – 20 lbs.-ft. (27 N·m)
  - 14" Flywheel – 50 lbs.-ft. (68 N·m)
 (For other couplings follow manufacturers recommended installation procedure.)
- Place the pump shaft key into the pump shaft (122) and align the shaft to the coupling. Slide the pump into the coupling until the engine adapter ring (340) contacts the engine flywheel housing.
- Mount the pump to the engine using the bolts and lock-washers provided, torqued as follows in a crossing sequence:
  - SAE #2, #3, #4, #5 – 20 lbs.-ft. (27 N·m)
  - SAE #1 – 50 lbs.-ft. (68 N·m)
- Install coupling guards (501N).
- Bolt motor adapter (108) to the rigid support described above.

### Coupling Alignment



**FAILURE TO DISCONNECT AND LOCKOUT ELECTRICAL POWER BEFORE ATTEMPTING ANY MAINTENANCE CAN CAUSE SEVERE PERSONAL INJURY.**

### FRAME-MOUNTED UNITS ONLY

- Alignment **MUST** be checked prior to running. See Figure 2.

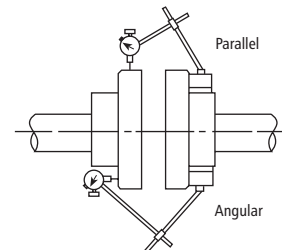


Figure 2

- Tighten all hold-down bolts before checking alignment.
- If realignment is necessary, always move the motor. Shim as required.
- Parallel misalignment, shafts with axis parallel but not concentric. Place dial indicator on one hub and rotate this hub 360° while taking readings on the outside diameter of the other hub. Parallel alignment is achieved when reading is 0.005" (0.127 mm) TIR, or less.
- Angular misalignment, shaft with axis concentric but not parallel. Place dial indicator on one hub and rotate this hub 360° while taking readings on the face of the other hub. Angular alignment is achieved when reading is 0,005" (0.127 mm) TIR, or less.

- Final alignment is achieved when parallel and angular requirements are satisfied with motor hold-down bolts tight.

**NOTICE: ALWAYS RECHECK BOTH ALIGNMENTS AFTER MAKING ANY MECHANICAL ADJUSTMENTS.**

## Piping

- Piping should be no smaller than pump's discharge and suction connections and kept as short as possible, avoiding unnecessary fittings to minimize friction losses. See Table 1.
- All piping **MUST** be independently supported and **MUST NOT** place any piping loads on the pump

**NOTICE: DO NOT FORCE PIPING INTO PLACE AT PUMP SUCTION AND DISCHARGE CONNECTIONS.**

- All pipe joints **MUST** be airtight.

## PIPING – SUCTION

- For suction lifts over 10 ft. (3 m) and liquid temperatures over 120° F (49° C), consult pump performance curve for net positive suction head required (NPSH<sub>R</sub>).
- If a pipe size larger than pump suction is required, an eccentric pipe reducer, with the straight side up, **MUST** be installed at the pump suction.
- If pump is installed below the liquid source, install a gate valve in the suction for pump inspection and maintenance.

**NOTICE: DO NOT USE THE GATE VALVE TO THROTTLE PUMP. THIS MAY CAUSE LOSS OF PRIME, EXCESSIVE TEMPERATURES AND DAMAGE TO PUMP, VOIDING WARRANTY.**

- If the pump is installed above the liquid source, the following **MUST** be provided:
  - To avoid air pockets, no part of the piping should be above the pump suction connection.
  - Slope the piping upward from liquid source.
  - Use a foot valve or check valve **ONLY** if necessary for priming or to hold prime during intermittent duty.
  - The suction strainer or suction bell **MUST** be at least 3 times the suction pipe diameter area.
  - Insure that the size and minimum submergence over suction inlet is sufficient to prevent air from entering pump through a suction vortex. See Figures 3 through 6.

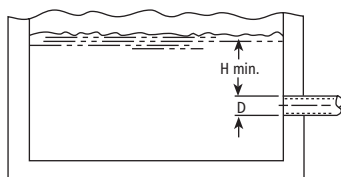


Figure 3

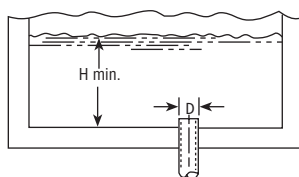


Figure 4

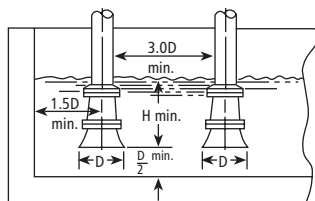


Figure 5

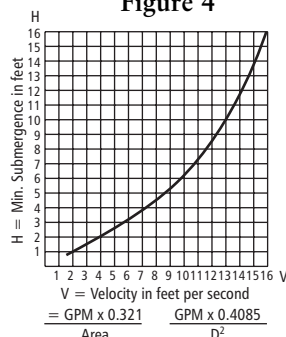


Figure 6

## PIPING – DISCHARGE

- Install a check valve suitable to handle the flow, liquids and to prevent backflow. After the check valve, install an appropriately sized gate valve to be used to regulate the pump capacity, pump inspection and for maintenance.
- When required, pipe increaser should be installed between the check valve and the pump discharge.

## Wiring and Grounding



⚠ Install, ground and wire according to local and National Electrical Code Requirements.

⚠ Install an all leg electrical power disconnect switch near the pump.

⚠ Disconnect and lockout electrical power before installing or servicing the pump.

⚠ Electrical supply **MUST** match pump's nameplate specifications. Incorrect voltage can cause fire, damage motor and void the warranty.

⚠ Motors without built-in protection **MUST** be provided with contactors and thermal overloads for single phase motors, or starters with heaters for three phase motors. See motor nameplate.

- Use only copper wire to motor and ground. The ground wire **MUST** be at least as large as the wire to the motor. Wires should be color coded for ease of maintenance.

- Follow motor manufacturer's wiring diagram on the motor nameplate or terminal cover carefully.



**FAILURE TO PERMANENTLY GROUND THE PUMP, MOTOR AND CONTROLS BEFORE CONNECTING TO ELECTRICAL POWER CAN CAUSE SHOCK, BURNS OR DEATH.**

## Rotation

**NOTICE: INCORRECT ROTATION MAY CAUSE DAMAGE TO THE PUMP AND VOIDS THE WARRANTY.**

- Correct rotation is right-hand, **CLOCKWISE** when viewed from the motor end. For frame mounted units, switch power on and off quickly to observe rotation. On close coupled units, remove motor end plug or cover to observe rotation.

- To reverse three phase motor rotation, interchange any two power supply leads.

## Operation



**DO NOT OPERATE FRAME MOUNTED OR SAE UNITS WITHOUT SAFETY GUARDS IN PLACE OR SEVERE PERSONAL INJURY MAY RESULT.**



**SPLASHING OR IMMERSING OPEN DRIP PROOF MOTORS IN FLUID CAN CAUSE FIRE, SHOCK, BURNS OR DEATH.**



**OPERATION AT OR NEAR ZERO FLOW CAN CAUSE EXTREME HEAT, PERSONAL INJURY OR PROPERTY DAMAGE.**

**NOTICE: NO NOT RUN PUMP DRY OR SEAL DAMAGE WILL RESULT.**

- After stabilizing the system at normal operating conditions, check the piping. If necessary, adjust the pipe supports.
- On frame-mounted units, coupling alignment may have changed due to the temperature differential between pump and motor. Recheck alignment following procedures and hazard warnings in “COUPLING ALIGNMENT” section of this manual.

## Maintenance



**FAILURE TO DISCONNECT AND LOCKOUT ELECTRICAL POWER BEFORE ATTEMPTING ANY MAINTENANCE CAN CAUSE SHOCK, BURNS OR DEATH.**



**FAILURE TO RELIEVE SYSTEM PRESSURE AND DRAIN SYSTEM BEFORE ATTEMPTING ANY MAINTENANCE CAN CAUSE PROPERTY DAMAGE, PERSONAL INJURY OR DEATH.**



**IF PIPING HAZARDOUS OR TOXIC FLUIDS, SYSTEM MUST BE FLUSHED PRIOR TO PERFORMING SERVICE.**

## CLOSE-COUPLED UNITS

- Bearings are located in and are part of the motor. For lubrication information, refer to motor manufacturer’s instructions.

## FRAME-MOUNTED UNITS

- Model 3756 S-group has greased for life bearings. No regreasing is possible or necessary.
- Model 3756 M or L-group bearing frame and SAE drive bearing frame should be regreased every 2,000 hours or at a three month interval, whichever occurs first. Use a #2 sodium or lithium based grease. Fill until grease comes out of relief fittings, or lip seals, then wipe off excess.
- Follow motor or engine and coupling manufacturer’s lubrication instructions.
- Recheck alignment.

## SEASONAL SERVICE

- To **REMOVE** pump from service, remove drain plug and drain all unprotected piping.
- To **RETURN** pump to service, replace drain plug using Teflon™ tape or equivalent on male threads.
- Reconnect suction line if removed, examine union and repair if necessary.
- Refer to **OPERATION** section of manual.

## Disassembly

- Follow **ALL** warnings and instructions in the “**MAINTENANCE**” section of this manual.
- Close-coupled units: Remove motor hold-down bolts.
- Frame-mounted units: Remove coupling guard, spacer, coupling and frame hold-down bolts.

## LIQUID END

1. Remove casing bolts (371).
  2. Remove back pull-out assembly from casing (100).
  3. Remove casing wear ring (103) if excessively worn.
- NOTICE: DO NOT INSERT SCREWDRIVER BETWEEN IMPELLER VANES TO PREVENT ROTATION.**
4. On close-coupled units, remove motor end plug or cover to expose screwdriver slot or flats on end of motor shaft.
  5. While restraining shaft with an appropriate tool (close-coupled units) or with a strap wrench (frame-mounted units) remove impeller bolt (198). Impeller bolt may need to be heated with torch to remove. Discard.

**NOTICE: EXERCISE CAUTION WHEN HANDLING HOT IMPELLER BOLT.**

6. Remove impeller washer (199). Discard.
7. Insert two pry bars, 180° apart, between impeller (101) and seal housing (184). **CAREFULLY** pry off impeller.
8. Remove impeller key (178).
9. Remove seal housing bolts (370B) and seal housing (184) pulling with it the mechanical seal assembly. Discard seal assembly and seal housing o-ring (513). For packed box pumps see “**PACKED BOX INSTRUCTIONS**”.
10. Remove adapter bolts (370) and adapter (108).
11. Inspect shaft sleeve (126). If badly scored, remove by heating with torch. Discard.

**NOTICE: EXERCISE CARE IN HANDLING HOT SHAFT SLEEVE.**

12. Push out the mechanical seal stationary seat from the seal housing. Discard.
13. On units equipped, remove seal housing wear ring (203) if excessively worn.

### DISASSEMBLY OF BEARING FRAME OR SAE BEARING FRAME

1. Remove deflector (123) from shaft.
2. Remove bearing cover (134).
3. Remove shaft assembly from frame.
4. Remove lip seals (138, 139) from bearing frame (228) and bearing cover (134) if worn. Discard..
5. Remove retaining ring (361).
6. Use bearing puller or arbor press to remove ball bearings (112, 168).

### Reassembly

- All parts should be cleaned before assembly.

**NOTICE:** O-RING SHOULD BE REPLACED AFTER ANY DISASSEMBLY OF UNIT.

### BEARING FRAME

1. Replace lip seals if removed.
2. Replace ball bearings if loose, rough or noisy when rotated.
3. Check shaft (122) for runout. Maximum permissible is 0.002" (0.05 mm) TIR.
4. Refer to the "MAINTENANCE" section of this manual for M-group bearing frame regreasing instructions.

### LIQUID END

1. Inspect shaft removing any debris or burrs.
2. Treat shaft with LOCQUIC® Primer "T", or equivalent, following manufacturer's instructions carefully.
3. When replacing shaft sleeve, spray new shaft sleeve's bore with LOCQUIC® Primer "T", or equivalent. Let parts dry and then apply LOCTITE® #262 on the same surfaces. Slide new sleeve over shaft with a twisting motion, wipe off excess. Let cure according to instructions.

**NOTICE:** MECHANICAL SEAL MUST BE REPLACED WHENEVER SEAL HAS BEEN REMOVED. FOLLOW SEAL MANUFACTURER'S INSTRUCTIONS CAREFULLY. FOR PACKED BOX PUMPS SEE "PACKED BOX INSTRUCTIONS".

4. Replace seal housing wear ring, if removed.
5. For mechanical seal pumps, stationary seal seat may be dipped in water to ease installation. Place stationary seal seat squarely into seal housing bore. Cover the polished face of the seat with a thin piece of cardboard or paper towel. Press seat firmly into bore using a round piece of plastic or wood that disperses the force over the entire seal face.
6. Place adapter, concave face pointing up, over motor shaft and lower it onto the motor.
7. Replace seal housing o-ring. This o-ring may be lubricated with water or glycerin to ease in installation. Install seal housing on adapter. Exercise care in that the motor shaft does not dislodge or damage seal seat.

8. Fully and squarely install the rotary assembly of seal against the stationary seat.

**NOTICE:** REPLACE IMPELLER BOLT AND WASHER WHENEVER IMPELLER IS REMOVED.

9. Install impeller key in shaft keyway. Mount impeller on shaft and push until it bottoms. Hold in place.
10. Install new impeller washer.
11. Apply LOCTITE® #262 or equivalent, to new impeller bolt threads and tighten to:
 

$\frac{3}{8}$ "-16 bolts	20 lbs.-ft. (27 N·m)
$\frac{1}{2}$ "-13 bolts	38 lbs.-ft. (51 N·m)

12. Replace casing wear ring, if removed.
13. Replace casing bolts and tighten, in a crossing sequence, to torque values indicated below:

$\frac{3}{8}$ "-16 bolts (bronze casing)	25 lbs.-ft. (34 N·m)
$\frac{3}{8}$ "-16 bolts (cast iron casing)	37 lbs.-ft. (50 N·m)
$\frac{1}{2}$ "-13 bolts (cast iron casing)	90 lbs.-ft. (122 N·m)
$\frac{3}{4}$ "-10 bolts (cast iron casing)	175 lbs.-ft. (237 N·m)

14. Check reassembled unit for binding by rotating shaft with appropriate tool from motor end.
15. If rubbing exists, loosen casing bolts and proceed with tightening sequence again.
16. Replace motor hold-down bolts and motor end plug or cover on close-coupled units.
17. Replace coupling, spacer, coupling guard and frame hold-down bolts on frame-mounted units.

**NOTICE:** ALWAYS RECHECK BOTH ALIGNMENTS AFTER MAKING ANY ADJUSTMENTS.

18. Refer to the "COUPLING ALIGNMENT" section of this manual to realign shaft.
19. Assembly is complete.

### Packed Box

1. Make sure stuffing box is free of foreign materials and clean before beginning packing of packed box. Refer to Sectional Assembly in the repair parts section.
2. Take special care during installation of packing rings because they are die-formed. To install, twist the ring sideways just enough to fit it around the shaft sleeve. **DO NOT ATTEMPT TO PULL RINGS STRAIGHT OUT.** See Figure 7.

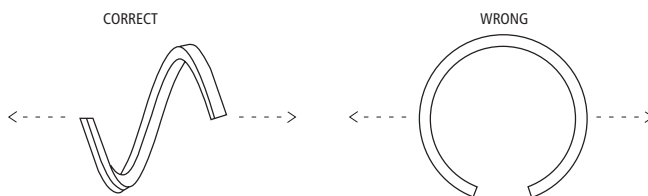
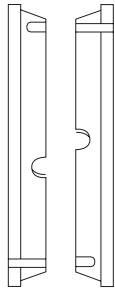


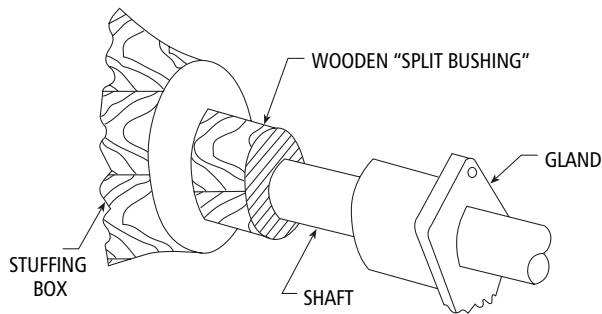
Figure 7

3. Install the two piece Teflon lantern ring supplied as shown in figure 8. Note: two pieces make one ring. Notches on ring must face each other, but alignment is not necessary.



**Teflon Lantern Ring**  
**Figure 8**

4. Install the packing rings and lantern ring in the following sequence to pack the packed box. Install two rings of packing, then the lantern ring, followed by the final three rings of packing. Install each ring separately and firmly seat. The use of a wooden split bushing is recommended to accomplish this. See Figure 9. Use gland to jack the bushing and ring into the box. Stagger joints in each ring 90°. Make sure the flush tap in the packed box lines up with the center of the lantern ring. Any extra rings are spares.



**Figure 9**

5. Tighten gland nuts evenly, but not tight. When the pump is started, slowly tighten the gland nuts until the leak rate is between 40 and 60 drops per minute. A grease lubricant can be used when the pumpage contains abrasive particles or for a suction lift condition.

#### REMOVAL OF PACKED BOX

- Follow these steps to remove the packing from the packed box.
  1. Remove gland assembly.
  2. With a "packing hook" remove packing.
  3. Insert a wire hook into the ring on the outer edge to remove the lantern ring.
  4. Clean the packed box.

#### Trouble Shooting Guide



**DISCONNECT AND LOCKOUT ELECTRICAL POWER BEFORE ATTEMPTING ANY MAINTENANCE. FAILURE TO DO SO CAN CAUSE A SHOCK, BURN OR DEATH.**

#### SYMPTOM

##### MOTOR NOT RUNNING

See Probable Cause – 1 through 5

##### LITTLE OR NO LIQUID DELIVERED

See Probable Cause – 6 through 13

##### EXCESSIVE POWER CONSUMPTION

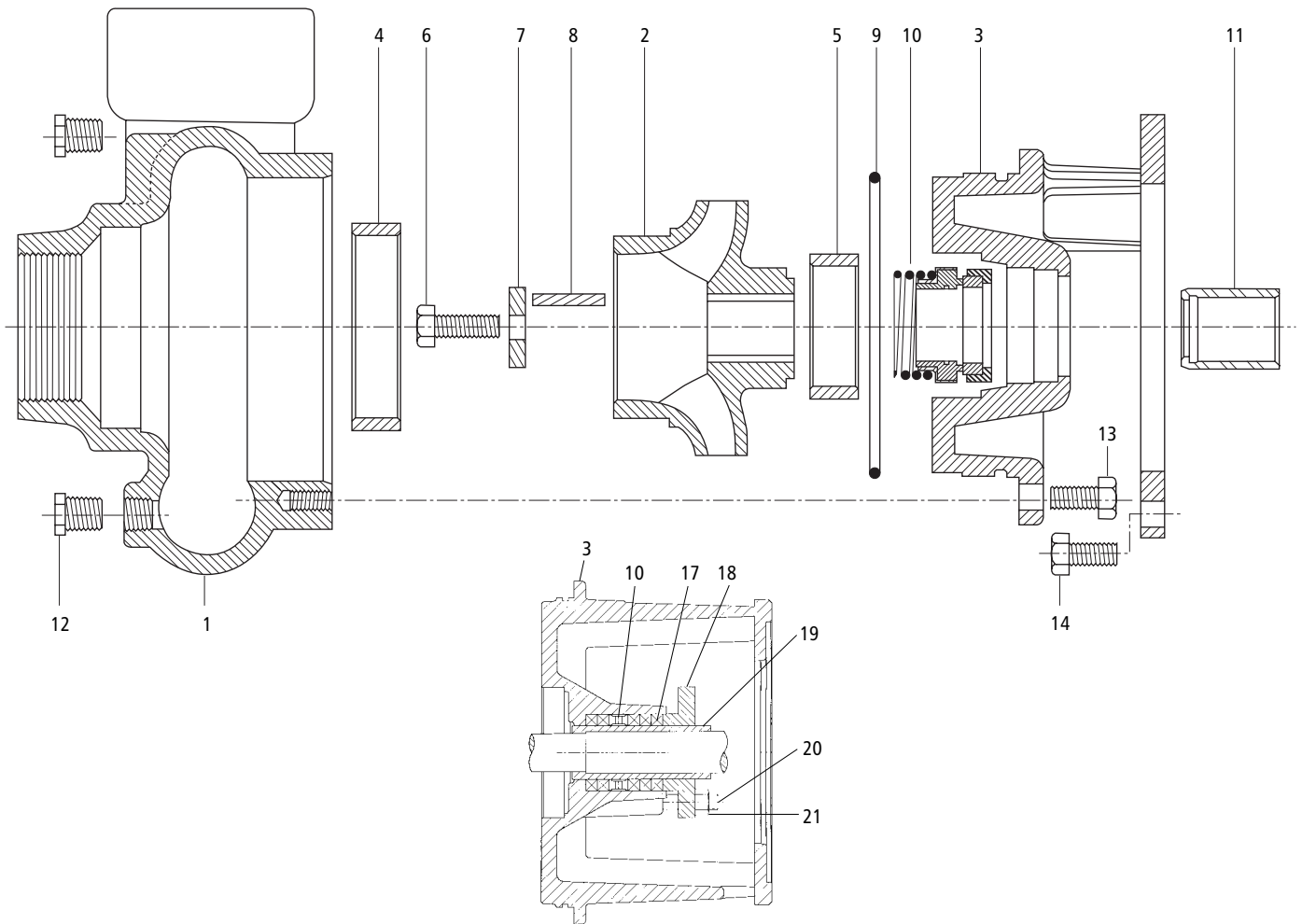
See Probable Cause – 3, 13, 14, 15

##### EXCESSIVE NOISE and VIBRATION

See Probable Cause – 3, 6, 7, 10, 12, 14, 16, 17

#### PROBABLE CAUSE

1. Motor thermal protector tripped
2. Open circuit breaker or blown fuse
3. Impeller binding
4. Motor improperly wired
5. Defective motor
6. Pump is not primed, air or gases in pumpage
7. Discharge, suction plugged or valve closed
8. Incorrect rotation (3 phase only)
9. Low voltage or phase loss
10. Impeller worn or plugged
11. System head too high
12. NPSH<sub>A</sub> too low – Excessive Suction lift or losses
13. Incorrect impeller diameter
14. Discharge head too low – excessive flow rate
15. Fluid viscosity, specific gravity too high
16. Worn bearing
17. Pump, motor or piping loose



Packed Box Arrangement

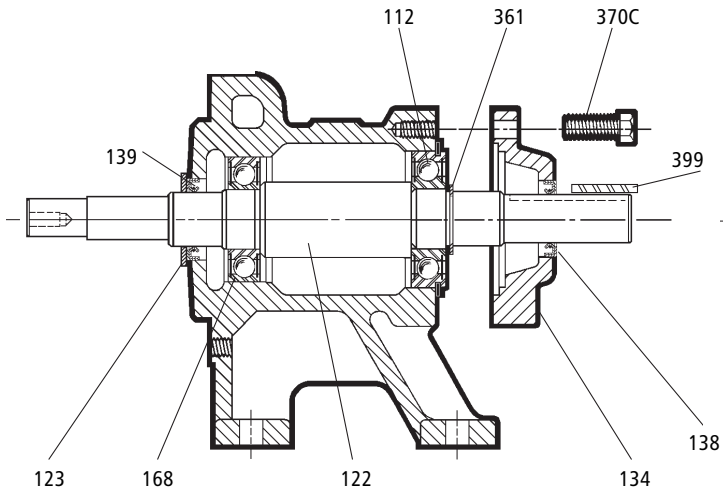
**LIQUID END COMPONENTS**

Item No.	Description	Material
1	Casing	Cast iron or bronze
2	Impeller	
3	Adapter	
4	Wear ring (casing)	
5*	Wear ring (seal housing)	Cast iron or bronze
6	Impeller bolt	AISI Type 300 stainless steel
7	Impeller washer	
8	Impeller key	
9	Seal housing o-ring	BUNA-N
10	Mechanical seal	See chart
11	Shaft sleeve	AISI Type 300 stainless steel
12	Drain plug – ¼ or ⅜ NPT	Steel or brass
13	Hex head cap screw (casing to adapter)	Steel
14	Hex head cap screw (adapter to motor/frame)	
15	Hex head cap screw (Adapter to seal housing)	
16	Lantern ring	Teflon™
17	Packing, 5 rings	Teflon™ impregnated
18	Gland	AISI 316SS
19	Shaft sleeve	AISI Type 300 stainless steel
20	Gland stud	
21	Gland nut	

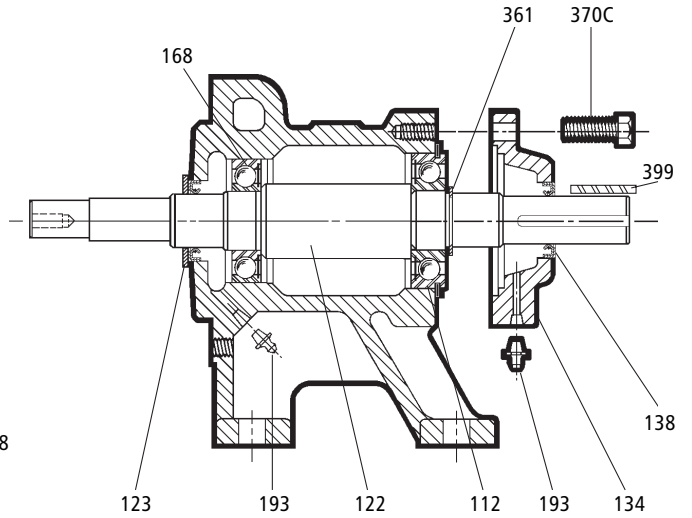
**POWER END COMPONENTS (shown on next page)**

Item No.	Description	Material
112	Ball bearing (outboard)	Steel
122	Pump shaft	
123	V-ring, deflector	BUNA-N
134	Bearing cover	Cast iron
138	Lip seal (outboard)	BUNA-N
139	Lip seal (inboard)	
168	Ball bearing (inboard)	Steel
193	Grease fitting (except S-Group)	
327C	Screw (cover to adapter) (SAE only)	Cast iron
340	Adapter/engine (SAE only)	
361	Retaining ring	Steel
370C	Hex head cap screw (frame to cover)	
371C	Hex head cap screw (adapter to frame) (SAE only)	
399	Key, coupling	Galvanized steel
501N	Cover/adapter (SAE only)	

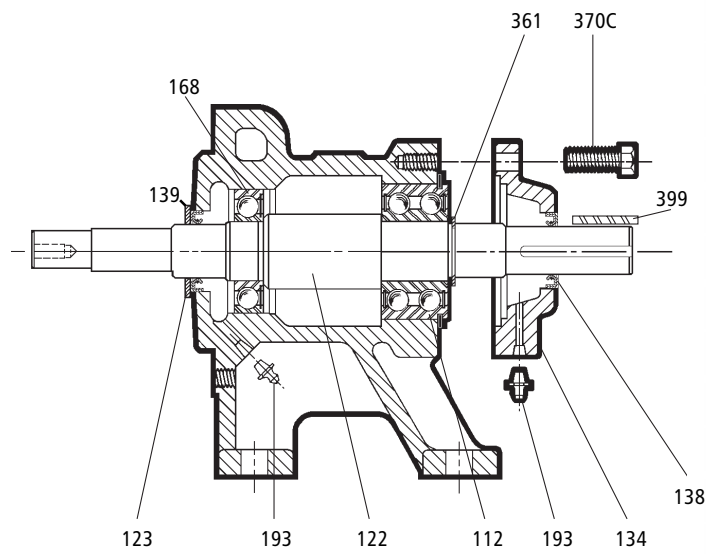
\* Item #5 supplied on S-group model 2½ x 3-7 (7½, 10 and 15 HP) and M-group (except 3 x 4-10).



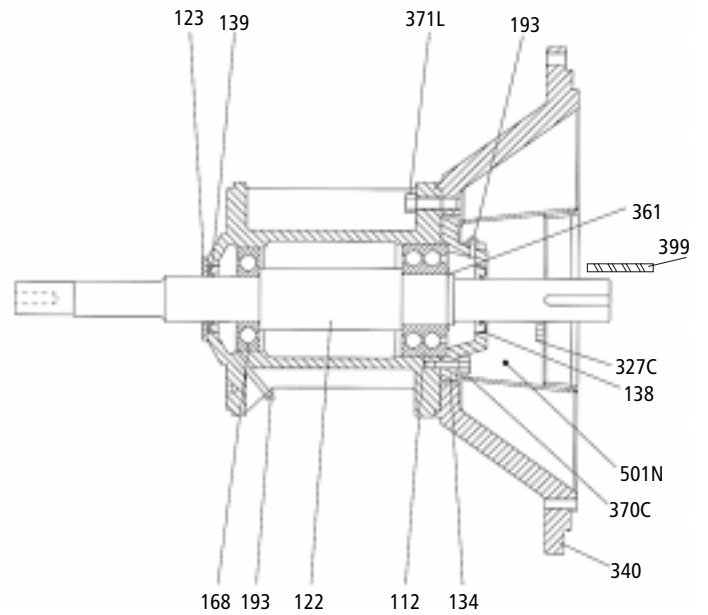
S-Group Power Frame



M-Group Power Frame



L-Group Power Frame



SAE Power Frame





### GOULDS PUMPS LIMITED WARRANTY

This warranty applies to all water systems pumps manufactured by Goulds Pumps.

Any part or parts found to be defective within the warranty period shall be replaced at no charge to the dealer during the warranty period. The warranty period shall exist for a period of twelve (12) months from date of installation or eighteen (18) months from date of manufacture, whichever period is shorter.

A dealer who believes that a warranty claim exists must contact the authorized Goulds Pumps distributor from whom the pump was purchased and furnish complete details regarding the claim. The distributor is authorized to adjust any warranty claims utilizing the Goulds Pumps Customer Service Department.

**The warranty excludes:**

- (a) Labor, transportation and related costs incurred by the dealer;
- (b) Reinstallation costs of repaired equipment;
- (c) Reinstallation costs of replacement equipment;
- (d) Consequential damages of any kind; and,
- (e) Reimbursement for loss caused by interruption of service.

**For purposes of this warranty, the following terms have these definitions:**

- (1) "Distributor" means any individual, partnership, corporation, association, or other legal relationship that stands between Goulds Pumps and the dealer in purchases, consignments or contracts for sale of the subject pumps.
- (2) "Dealer" means any individual, partnership, corporation, association, or other legal relationship which engages in the business of selling or leasing pumps to customers.
- (3) "Customer" means any entity who buys or leases the subject pumps from a dealer. The "customer" may mean an individual, partnership, corporation, limited liability company, association or other legal entity which may engage in any type of business.

**THIS WARRANTY EXTENDS TO THE DEALER ONLY.**

# Instrucciones de operación, instalación y mantenimiento

# Modelo 3656/3756



## Información del propietario

Por favor anote los siguientes datos y entregue el manual al dueño de casa. Encontrará información sobre garantía en la página 24.

Número de modelo: \_\_\_\_\_

Número de serie: \_\_\_\_\_

Comercio donde se adquirió: \_\_\_\_\_

Teléfono del comercio: \_\_\_\_\_

Fecha de compra: \_\_\_\_\_ Fecha de instalación: \_\_\_\_\_

## Índice

TÓPICO	PÁGINA
Instrucciones de seguridad .....	14
Descripción y especificaciones .....	14
Datos de ingeniería .....	14
Instalación .....	14
Ubicación .....	14
Bombas de acoplamiento corto .....	14
Bombas de montaje en bastidor .....	15
Bombas accionadas por motor SAE .....	15
Alineación del acoplamiento .....	15
Bombas de montaje en bastidor únicamente .....	15
Tuberías .....	16
Succión .....	16
Descarga .....	16
Cableado y puesta a tierra .....	16
Rotación .....	17
Operación .....	17
Mantenimiento .....	17
Desarmado .....	17
Reensamblaje .....	18
Instrucciones para la caja prensaestopas .....	19
Guía de identificación y resolución de problemas .....	19
Partes de repuesto .....	20
Garantía limitada .....	24

Goulds Pumps

## INSTRUCCIONES DE SEGURIDAD

**PARA EVITAR LESIONES PERSONALES GRAVES O FATALES Y SERIOS DAÑOS MATERIALES, LEA Y SIGA TODAS LAS INSTRUCCIONES DE SEGURIDAD EN EL MANUAL Y EN LA BOMBA.**



Este es un **SÍMBOLO DE ALERTA** relacionado con la seguridad. Cuando encuentre este símbolo en la bomba o en el manual, busque una de las siguientes palabras de advertencia y esté alerta a las potenciales lesiones personales o daños materiales.



**PELIGRO** Advierte sobre peligros que **CAUSARÁN** lesiones personales graves, muerte o daños materiales mayores.



**ADVERTENCIA** Advierte sobre peligros que **PUEDEN** causar lesiones personales graves, muerte o daños materiales mayores.



**PRECAUCIÓN** Advierte sobre peligros que **PUEDEN** causar lesiones personales o daños materiales.

**ATENCIÓN:** INDICA QUE A CONTINUACIÓN ENCONTRARÁ INSTRUCCIONES ESPECIALES MUY IMPORTANTES, LAS CUALES DEBE OBSERVAR.

**ESTE MANUAL HA SIDO CREADO COMO UNA GUÍA PARA LA INSTALACIÓN Y OPERACIÓN DE LA UNIDAD. REPASE EN DETALLE TODAS LAS INSTRUCCIONES Y ADVERTENCIAS ANTES DE REALIZAR CUALQUIER TRABAJO EN ESTA BOMBA.**

**CONSERVE TODAS LAS CALCOMANÍAS DE SEGURIDAD.**

**ATENCIÓN:** INSPECCIONE LA UNIDAD E INFORME INMEDIATAMENTE AL TRANSPORTISTA DE CUALQUIER DAÑO QUE ENCUENTRE.



Los fluidos peligrosos pueden originar fuego, quemaduras o causar la muerte.

**ESTA UNIDAD NO HA SIDO DISEÑADA PARA OPERAR CON LÍQUIDOS PELIGROSOS O GASES INFLAMABLES.**

## DESCRIPCIÓN Y ESPECIFICACIONES

Las bombas de la serie 3656/3756 son bombas centrífugas de una etapa con succión en el extremo, para la transferencia general de líquidos, aplicaciones de refuerzo, riego y servicios generales de bombeo. Están disponibles en tres materiales distintos: todo hierro, con accesorios de bronce o todo bronce (grupo "S" únicamente).

Los impulsores de la bomba están completamente encerrados, son accionados por chaveta y se mantienen en posición con un perno y una arandela. Las carcasas tienen diseño de voluta completa con anillos de desgaste reemplazables.

Dependiendo del tamaño de la bomba, las conexiones de succión y descarga son roscadas o con bridas. Los ejes están protegidos por camisas de acero inoxidable.

Las unidades de acoplamiento corto tienen motores NEMA JM o JP estándar con montaje en cara C y extensión del eje accionado por chaveta. Las unidades con accionamiento SAE se sujetan con pernos directamente a la cubierta del volante del motor en los modelos de tamaño SAE 1, 2, 3, 4 y 5. Para los volantes de 6½, 7½, 8, 10, 11½ y 14 pulgadas, hay disponibles

elementos elastómeros para acoplamiento. Las unidades para montaje en bastidor se pueden acoplar a motores a través de un acoplamiento espaciador, o pueden ser accionadas por correa.

## Datos de ingeniería

Temperatura máxima del líquido:

212° F (100° C) – con empaque o sello estándar

250° F (120° C) – con sello opcional para altas temperaturas

Presión máxima de operación (tabla 1):

– conexiones NPT, 200 PSI (1379 kPa)

– conexiones con brida ANSI 125#, 175 PSI (1207 kPa)

Presión máxima de succión: 100 PSI (689.5 kPa)

Arranques por hora: 20, distribuidos en forma pareja

Grupo	Tamaño	Succión	Descarga
S	1½ x 2-6 (H)	2" NPT	1½" NPT
	1 x 2-7	2" NPT	1" NPT
	2½ x 3-7	3" NPT	2½" NPT
	3 x 4-7	4" Brida	3" Brida
	1 x 2-8	2" NPT	1" NPT
LH	1½ x 2-8	2" NPT	1½" NPT
	2 x 2-5	2" NPT	2" NPT
	2½ x 2½-5	2½" NPT	2½" NPT
M	3 x 3-5	3" NPT	3" NPT
	2½ x 3-8	3" NPT	2½" NPT
	3 x 4-8	4" Brida	3" Brida
	4 x 5-8	5" Brida	4" Brida
	1½ x 2-10	2" NPT	1½" NPT
	2½ x 3-10	3" Brida	2½" Brida
	3 x 4-10	4" Brida	3" Brida
	4 x 6-10	6" Brida	4" Brida
	2½ x 3-13	3" Brida	2½" Brida
	3 x 4-13	4" Brida	3" Brida
L	4 x 6-13	6" Brida	4" Brida
	6 x 8-13	8" Brida	6" Brida
	8 x 10-13	10" Brida	8" Brida
	4 x 6-16	6" Brida	4" Brida

## Instalación

### UBICACIÓN

- Ubique la bomba tan cerca de la fuente de líquido como resulte práctico y por debajo del nivel del líquido para permitir el cebado automático.
- Deje suficiente espacio para ventilación y tareas de mantenimiento. Proteja la unidad de las inclemencias del tiempo y daños causados por lluvias, inundaciones o temperaturas bajo cero.
- Proteja la bomba y las cañerías de temperaturas bajo cero.
- Deje suficiente espacio alrededor de la unidad para ventilación y tareas de mantenimiento.

### BOMBAS DE ACOPLAMIENTO CORTO

- Estas unidades se pueden instalar en forma horizontal, inclinada o vertical con el motor sobre la bomba.
- Los pies del motor **DEBEN** abulonarse a una superficie resistente (horizontal o vertical) que sea capaz de brindar un soporte completo y rígido para la bomba y el motor. Para las bombas del grupo L, los pies del adaptador del motor también deben estar abulonados a la superficie de apoyo.
- Para la operación vertical, el motor debe equiparse con una cubierta antigoteo o protegerse de alguna otra manera para evitar que entre líquido (lluvia, rociado, condensación, etc.).

**ATENCIÓN:** NO INSTALE EL MOTOR POR DEBAJO DE LA BOMBA. CUALQUIER PÉRDIDA O CONDENSACIÓN AFECTARÁ AL MOTOR.

## BOMBAS DE MONTAJE EN BASTIDOR

- Se **DEBE** proveer una superficie de base substancial para evitar la distorsión o la tensión al ajustar los bulones de la base de montaje. Se puede utilizar un montaje de caucho para reducir el ruido y la vibración excesiva.
- Ajuste los pernos de sujeción del motor **ANTES** de conectar la tubería a la bomba.

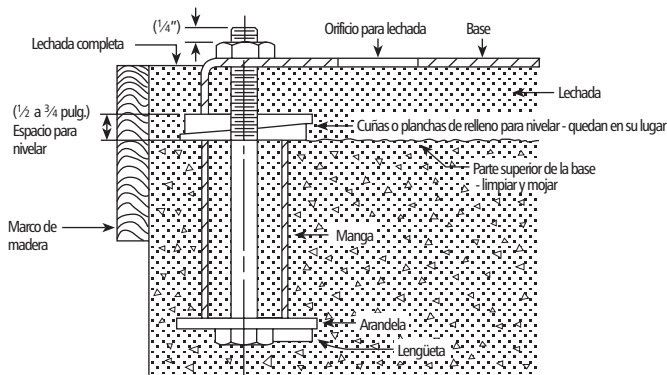


Figura 1

- La placa de base **DEBE** estar unida con lechada a un cimiento con pie firme. Vea la figura 1.
- Coloque la unidad en posición sobre cuñas ubicadas en las cuatro puntas, dos debajo del centro aproximado del motor accionador y dos debajo del centro aproximado de la bomba. Ajuste las cuñas para nivelar la unidad. Nivele o verifique con plomada las conexiones de succión y descarga.
- Asegúrese de que la placa de base no está distorsionada y que la alineación final del acoplamiento se puede efectuar dentro de los límites de movimiento del motor, con la ayuda de cuñas si fuera necesario.
- Ajuste los pernos de la base con la mano y construya una presa alrededor de la base. Vierta la lechada debajo de la placa de base asegurándose de llenar completamente las áreas debajo de los pies del motor y de la bomba. Deje endurecer la lechada por 48 horas antes de ajustar completamente los pernos de la base.
- Ajuste los bulones de sujeción de la bomba y el motor antes de alinear el eje o conectar la cañería a la bomba.
- Deje endurecer la lechada por 48 horas antes de ajustar los 4 pernos de la base.

### Bombas accionadas por motor SAE

La caja de cojinetes del motor de accionamiento SAE está diseñada para sujetarla directamente a la cubierta del motor para los montajes SAE tamaño 1, 2, 3, 4 y 5. La extensión del eje de la bomba es del tamaño apropiado para acoplamientos abulonados directamente al volante. Goulds Pumps ofrece acoplamientos opcionales para los volantes de 6½, 7½, 8, 10 y 14 pulgadas. Si bien se pueden utilizar otros acoplamientos de montaje en el volante, recomendamos el uso de los acoplamientos de Goulds Pumps para asegurar la operación prolongada y sin inconvenientes de la bomba.

### INSTALACIÓN

- La bomba se puede instalar en posición horizontal, con la descarga girada hacia cualquier posición permitida por el patrón de los bulones de la carcasa (371). Se recomienda que la descarga esté ubicada horizontalmente, por encima de la succión.
- En todas las bombas la carcasa debe estar sostenida por un soporte rígido sujeto al cimiento o base de la unidad.
- Para las bombas del grupo M, se recomienda que este soporte esté abulonado al anillo del adaptador del motor con 2 o más bulones de carcasa (371). Probablemente se requieran bulones

más largos para el mayor grosor de soporte. Use bulones SAE grado 5, ajustados a la torsión indicada en este manual.

- Para las bombas del grupo L, se recomienda que estén soportadas debajo de los dos pies fundidos en el adaptador del motor (108). Estos pies deben abulonarse al soporte.
- Comience el montaje de la bomba sobre el motor limpiando completamente el volante del motor y su carcasa.
- Para los acoplamientos opcionales: Asegúrese de que el tornillo prisionero del rodete de acoplamiento esté retraído lo suficiente para asegurar espacio para la chaveta del eje durante el armado. Monte el ensamblaje de acoplamiento en el volante del motor utilizando los pernos provistos y ajustándolos en zigzag como sigue:

Volante de 6½ ó 7½ pulg. – 11 libras-pie (15 N · m)  
Volante de 8, 10 o 11½ pulg. – 20 libras-pie (27 N · m)  
Volante de 14 pulg. - 50 libras-pie (68 N · m)  
(Para otros acoplamientos, siga el procedimiento de instalación recomendado por el fabricante.)

- Coloque la chaveta del eje de la bomba en el eje (122) y alinee el eje con el acoplamiento. Deslice la bomba en el acoplamiento hasta que el anillo adaptador del motor (340) esté en contacto con la cubierta del volante del motor.
- Monte la bomba en el motor utilizando los pernos y arandelas de seguridad provistos y ajústelos en zigzag como sigue:  
SAE No. 2, 3, 4, 5 – 20 libras-pie (27 N · m)  
SAE No. 1 - 50 libras-pie (68 N · m)
- Instale los protectores de acoplamiento (501N).
- Sujete con pernos el adaptador del motor (108) al soporte rígido descrito anteriormente.

### Alineación del acoplamiento



**EL NO DESCONECTAR Y BLOQUEAR LA ALIMENTACIÓN ELÉCTRICA ANTES DE INTENTAR TAREAS DE MANTENIMIENTO PUEDE CAUSAR LESIONES PERSONALES GRAVES.**

### BOMBAS DE MONTAJE EN BASTIDOR ÚNICAMENTE

- Se **DEBE** controlar la alineación antes de operar la bomba. Observe la figura 2.

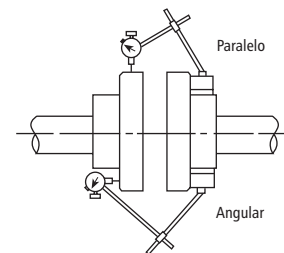


Figura 2

- Ajuste todos los bulones de sujeción antes de verificar la alineación.
- Si fuera necesario realinear, mueva siempre el motor. Coloque planchas de relleno según sea necesario.
- Desalineación paralela, ejes con línea de centro paralela pero no concéntrica. Coloque el indicador de dial en un rodete y haga girar el rodete 360° mientras registra las lecturas en el diámetro exterior del otro rodete. La alineación paralela se logra cuando la lectura es 0.005 pulg. (0.127 mm) TIR o menos.

- Desalineación angular, ejes con línea de centro concéntrica pero no paralela. Coloque el indicador de dial en un rodete y haga girar el rodete 360° mientras registra las lecturas en la cara del otro rodete. La alineación angular se alcanza cuando la lectura es 0.005 pulg. (0.127 mm) TIR o menos.
- La alineación final se alcanza cuando se satisfacen los requisitos paralelos y angulares con los bulones de sujeción del motor completamente ajustados.

**ATENCIÓN:** SIEMPRE VUELVA A VERIFICAR AMBAS ALINEACIONES LUEGO DE EFECTUAR CUALQUIER AJUSTE MECÁNICO.

## Tuberías

- La tubería no debe ser menor que las conexiones de succión y descarga de la bomba, y debe ser lo más corta posible. Evite conexiones innecesarias para minimizar las pérdidas por fricción. Observe la tabla 1.
- Toda la tubería **DEBE** estar soportada en forma independiente y **NO DEBE** existir ninguna carga de la tubería sobre la bomba.

**ATENCIÓN:** NO FUERCE LA TUBERÍA EN LAS CONEXIONES DE SUCCIÓN O DESCARGA.

- Todas las juntas de la tubería **DEBEN** ser herméticas.

## TUBERÍA – SUCCIÓN

- Para elevaciones de succión de más de 10 pies (3 m) y líquidos con temperaturas de más de 120° F (49° C), consulte la curva de desempeño de la bomba para la carga de succión positiva neta requerida (NPSH<sub>R</sub>).
- Si es necesario utilizar un tamaño de tubería mayor que el tamaño de la succión de la bomba, se **DEBE** instalar un reductor de caño excéntrico (con el lado recto hacia arriba) en la succión de la bomba.
- Si la bomba se instala por debajo de la fuente de líquido, instale una válvula de aislamiento total de flujo en la succión de la bomba para tareas de inspección y mantenimiento.

**ATENCIÓN:** NO USE LA VÁLVULA DE AISLAMIENTO DE SUCCIÓN PARA AHOGAR LA BOMBA. HACERLO, PODRÍA OCASIONAR LA PÉRDIDA DE CEBADO, TEMPERATURAS EXCESIVAS O DAÑOS A LA BOMBA, Y ADEMÁS ANULARÁ LA GARANTÍA.

- Si la bomba se instala por encima de la fuente de líquido, se **DEBEN** seguir los siguientes pasos:
  - Para evitar baches de aire, ninguna sección de la tubería debe estar más elevada que la conexión de succión de la bomba.
  - Incline la tubería hacia arriba desde la fuente de líquido.
  - Utilice una válvula de pie o una válvula de retención **SÓLO** si fuera necesario para cebar la bomba o mantener el cebado durante el servicio intermitente.
  - La pantalla o campana de succión **DEBE** ser al menos 3 veces más grande que el diámetro de la tubería de succión.
  - Asegúrese de que el tamaño de la succión de entrada y la inmersión mínima de la succión de entrada sean suficientes para que no se produzca la entrada de aire a la bomba a causa de un arremolinamiento de succión. Consulte las figuras 3 a 6.

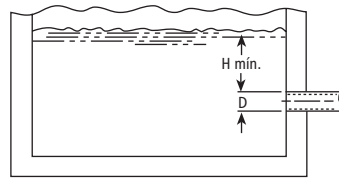


Figura 3

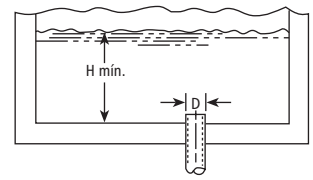


Figura 4

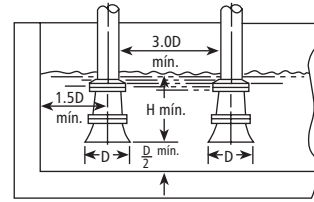


Figura 5

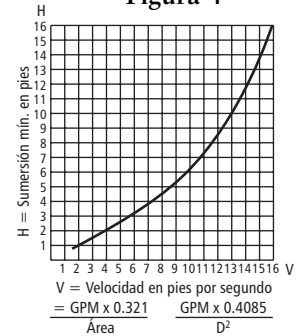


Figura 6

## TUBERÍA – DESCARGA

- Instale una válvula de retención capaz de manejar el flujo, los líquidos y evitar el retroflujo. Después de la válvula de retención, instale una válvula de compuerta del tamaño apropiado para regular la capacidad de la bomba y realizar inspecciones y tareas de mantenimiento.
- Cuando sea necesario, se debe instalar un aumentador del caño entre la válvula de retención y la descarga de la bomba.

## Cableado y puesta a tierra



- Instale el cableado y la puesta a tierra de acuerdo con los requisitos locales y al Código Eléctrico Nacional Requisitos.
- Instale un interruptor de desconexión de todos los circuitos de alimentación eléctrica cerca de la bomba.
- Desconecte y bloquee el suministro eléctrico antes de instalar la bomba o realizar tareas de mantenimiento.

- El suministro eléctrico **DEBE** ser el que se especifica en la placa nominal de la bomba. Un voltaje incorrecto puede provocar un incendio, dañar el motor y anular la garantía.
- Los motores sin protección incorporada **DEBEN** equiparse con contactores y protectores contra sobrecarga térmica si son monofásicos, o con arrancadores con calentadores si son trifásicos. Consulte la placa nominal del motor.

- Use únicamente cable de cobre para la conexión al motor y a tierra. El cable a tierra **DEBE** ser por lo menos del mismo tamaño que el cable al motor. Los cables deben estar codificados con colores para facilitar el mantenimiento.
- Siga cuidadosamente el diagrama de cableado indicado por el fabricante del motor en la placa nominal o en la tapa de la terminal.



**SI LA BOMBA, EL MOTOR O LOS CONTROLES NO SE CONECTAN A TIERRA EN FORMA PERMANENTE ANTES DE CONECTAR LA ALIMENTACIÓN ELÉCTRICA, SE PUEDEN PRODUCIR DESCARGAS ELÉCTRICAS, QUEMADURAS Y HASTA LA MUERTE.**

## Rotación

**ATENCIÓN:** LA ROTACIÓN INCORRECTA PUEDE DAÑAR LA BOMBA Y ANULAR LA GARANTÍA.

- La rotación correcta es hacia la derecha, en el **SENTIDO DE LAS AGUJAS DEL RELOJ** cuando se mira desde el extremo del motor. En las unidades montadas en bastidor, encienda y apague la bomba rápidamente para observar la rotación. En las unidades de acoplamiento corto, retire el motor y el tapón o la cubierta para observar la rotación.
- Para invertir la rotación de un motor trifásico, intercambie dos conductores eléctricos cualesquiera.

## Operación



**NO HAGA FUNCIONAR LAS UNIDADES SAE O LAS UNIDADES MONTADAS EN BASTIDOR SIN LAS PROTECCIONES DE SEGURIDAD CORRESPONDIENTES. DE HACERLO, PODRÍA SUFRIR GRAVES LESIONES PERSONALES.**



**SALPICAR O SUMERGIR EN FLUIDOS UN MOTOR ABIERTO A PRUEBA DE FILTRACIONES PUEDE PROVOCAR UN INCENDIO, UNA DESCARGA ELÉCTRICA, QUEMADURAS, O INCLUSO LA MUERTE.**



**EL FUNCIONAMIENTO SIN FLUJO O CON FLUJO MÍNIMO PUEDE CAUSAR TEMPERATURAS EXCESIVAS, LESIONES PERSONALES O DAÑOS MATERIALES.**

**ATENCIÓN:** NO HAGA FUNCIONAR LA BOMBA EN SECO. DE HACERLO, SE DAÑARÁ EL SELLO.

- Luego de estabilizar el sistema en las condiciones normales de operación, verifique la tubería. Si fuera necesario, ajuste los soportes de la tubería.
- En las unidades de montaje en bastidor, la alineación del acoplamiento puede haber variado debido a las diferencias de temperatura entre la bomba y el motor. Vuelva a controlar la alineación siguiendo los procedimientos y advertencias de la sección **“ALINEACIÓN DEL ACOPLAMIENTO”** de este manual.

## Mantenimiento



**EL NO DESCONECTAR Y BLOQUEAR LA ALIMENTACIÓN ELÉCTRICA ANTES DE INTENTAR TAREAS DE MANTENIMIENTO PUEDE CAUSAR DESCARGAS ELÉCTRICAS, QUEMADURAS E INCLUSO LA MUERTE.**



**SI NO SE LIBERA LA PRESIÓN Y SE DRENA EL SISTEMA ANTES DE INTENTAR TAREAS DE MANTENIMIENTO, SE PUEDEN PRODUCIR DAÑOS MATERIALES Y LESIONES PERSONALES, INCLUYENDO LA MUERTE.**



**SI SE BOMBEAN FLUIDOS TÓXICOS O PELIGROSOS, EL SISTEMA DEBE LAVARSE COMPLETAMENTE CON UNA DESCARGA DE AGUA ANTES DE REALIZAR TAREAS DE MANTENIMIENTO.**

## BOMBAS DE ACOPLAMIENTO CORTO

- Los cojinetes están ubicados en el motor y forman parte del mismo. Para obtener información sobre lubricación, consulte las instrucciones del fabricante del motor.

## BOMBAS DE MONTAJE EN BASTIDOR

- El modelo 3756 del grupo S cuenta con cojinetes engrasados de por vida. No es posible lubricarlos, y tampoco es necesario.
- La caja de cojinetes del modelo 3756 de los grupos M y L y de accionamiento SAE debe ser lubricada cada 2000 horas o cada 3 meses, lo que se presente primero. Use grasa con base de litio o sodio No. 2. Llene hasta que la grasa salga por los accesorios de alivio o los sellos, luego limpie la grasa excesiva.
- Siga las instrucciones de lubricación del fabricante del motor y el acoplamiento.
- Verifique nuevamente la alineación.

## SERVICIO REGULAR

- Para **RETIRAR** la bomba del servicio, saque el tapón de drenaje y drene toda la tubería no protegida.
- Para **VOLVER A PONER** la bomba en servicio, vuelva a colocar el tapón de drenaje utilizando cinta de Teflon™ o equivalente en las roscas macho.
- Reconecte la línea de succión si ha sido desconectada, inspeccione la unión y repare si fuera necesario.
- Consulte la sección **“OPERACIÓN”** del manual.

## Desarmado

- Observe **TODAS** las instrucciones y advertencias de la sección **“MANTENIMIENTO”** de este manual.
- Unidades de acoplamiento corto: Retire los bulones de sujeción del motor.
- Unidades montadas en bastidor: Retire los bulones de sujeción del protector de acoplamiento, espaciador, acoplamiento y bastidor.

## EXTREMO DEL LÍQUIDO

1. Retire los bulones de la carcasa (371).
2. Retire de la carcasa el conjunto posterior retractable (100).
3. Retire el anillo de desgaste de la carcasa (103) si se encuentra muy gastado.

**ATENCIÓN:** NO INSERTE UN DESTORNILLADOR ENTRE LAS ALETAS DEL IMPULSOR PARA EVITAR LA ROTACIÓN.

4. En las unidades de acoplamiento corto, retire el tapón o cubierta del extremo del motor para dejar a la vista las partes planas o ranuras para el destornillador en el extremo del eje del motor.
5. Mientras inmoviliza el eje con una herramienta apropiada (unidades de acoplamiento corto) o con una llave de lengüeta (unidades de montaje en bastidor), retire el perno del impulsor (198). Puede ser necesario tener que calentar el perno del impulsor con una antorcha para poder retirarlo. Deséchelo.

**ATENCIÓN: TENGA CUIDADO AL MANIPULAR EL PERNO CALIENTE DEL IMPULSOR.**

6. Retire la arandela del impulsor (199). Deséchela.
7. Inserte dos barras de palanca a 180° de distancia entre sí, entre el impulsor (101) y el compartimiento del sello (184). **CON SUMO CUIDADO**, haga palanca y retire el impulsor.
8. Retire la chaveta del impulsor (178).
9. Retire los tornillos del compartimiento de sellos (370B) y el compartimiento (184), sacando con él el conjunto del sello mecánico. Deseche el conjunto del sello y el anillo en O del compartimiento del sello (513). Para las bombas con caja prensaestopas, consulte las **“INSTRUCCIONES PARA CAJA PRENSAESTOPAS”**.
10. Retire los tornillos del adaptador (370) y el adaptador (108).
11. Inspeccione la camisa del eje (126). Si tiene muchas muescas, retírela calentándola con una antorcha. Deséchela.

**ATENCIÓN: TENGA CUIDADO AL MANIPULAR LA CAMISA DEL EJE CALIENTE.**

12. Empuje y saque del compartimiento de sellos el asiento del sello mecánico estacionario. Deséchelo.
13. En las unidades equipadas con anillo de desgaste (203) en el compartimiento de sellos, retírelo si se encuentra muy gastado.

**DESMTAJE DE LA CAJA DE COJINETES O CAJA DE COJINETES SAE**

1. Retire el deflector (123) del eje.
2. Retire la cubierta de cojinetes (134).
3. Retire del bastidor el conjunto del eje.
4. Retire los sellos de reborde (138, 139) de la caja de cojinetes (228) y la cubierta de cojinetes (134) si se encuentran gastados. Deséchelos.
5. Retire el anillo de retención (361).
6. Use un jalador de cojinetes o una prensa de eje para retirar los cojinetes de bola (112, 168).

**Reensamblaje**

- Antes de volver a armar la bomba se deben limpiar todas las piezas.

**ATENCIÓN: EL ANILLO EN O SE DEBE REEMPLAZAR CADA VEZ QUE SE DESARMA LA UNIDAD.**

**CAJA DE COJINETES**

1. Reemplace los sellos de reborde si han sido retirados.
2. Reemplace los cojinetes de bola si están sueltos o hacen ruido al rotar.
3. Controle el descentramiento del eje (122). El valor máximo permitido es 0.002 pulgadas (0.05 mm) TIR.
4. Consulte la sección **“MANTENIMIENTO”** de este manual para las instrucciones de lubricación de la caja de cojinetes en las bombas del grupo M.

**EXTREMO DEL LÍQUIDO**

1. Inspeccione el eje y limpie toda basura o rebaba.
2. Aplique LOCQUIC® Primer “T” o equivalente al eje, siguiendo cuidadosamente las instrucciones del fabricante.
3. Al colocar la nueva camisa del eje, rocíe el diámetro interior de la camisa con LOCQUIC® Primer “T” o equivalente. Deje secar las piezas y aplique LOCTITE® #262 a las mismas superficies. Deslice la nueva camisa sobre el eje con un movimiento de torsión y limpie el excedente. Deje curar de acuerdo con las instrucciones.

**ATENCIÓN: EL SELLO MECÁNICO DEBE SER REEMPLAZADO CADA VEZ QUE SE RETIRA EL SELLO. SIGA ATENTAMENTE LAS INSTRUCCIONES DEL FABRICANTE DEL SELLO. PARA BOMBAS CON CAJA PRENSAESTOPAS, CONSULTE LAS “INSTRUCCIONES PARA CAJA PRENSAESTOPAS”.**

4. Reemplace el anillo de desgaste del compartimiento de sellos si es que ha sido retirado.
5. En las bombas con sello mecánico, el asiento del sello estacionario puede remojar en agua para facilitar la instalación. Coloque el asiento del sello estacionario de frente en el diámetro interior del compartimiento de sellos. Cubra la cara pulida del asiento con un cartón fino o una toalla de papel. Presione el asiento con firmeza dentro del diámetro interior con una pieza redonda de plástico o de madera que disperse la fuerza sobre toda la cara del sello.
6. Coloque el adaptador, con la cara cóncava hacia arriba, sobre el eje del motor y hágalo descender hasta el motor.
7. Reemplace el anillo en O del compartimiento de sellos. Este anillo en O puede ser lubricado con agua o glicerina para facilitar la instalación. Instale el compartimiento del sello sobre el adaptador. Tenga cuidado para que el eje del motor no dañe o desaloje el asiento del sello.
8. Instale de frente y completamente el conjunto rotativo del sello contra el asiento estacionario.

**ATENCIÓN: REEMPLACE EL PERNO Y LA ARANDELA DEL IMPULSOR CADA VEZ QUE RETIRE EL IMPULSOR.**

9. Instale la chaveta del impulsor en la ranura de posicionamiento. Monte el impulsor sobre el eje y empújelo hasta que llegue al fondo. Sosténgalo en su lugar.
10. Instale una arandela de impulsor nueva.
11. Aplique LOCTITE® #262 o equivalente a las roscas del perno nuevo y ajústelo a:
 

3/8"-16 pernos	20 lbs.-pie (27 N·m)
1/2"-13 pernos	38 lbs.-pie (51 N·m)
12. Reemplace el anillo de desgaste de la carcasa si es que ha sido retirado.
13. Coloque y ajuste los pernos de la carcasa en una secuencia de zigzag hasta los valores indicados a continuación:
 

3/8"-16 pernos (carcasa de bronce)	25 lbs.-pie (34 N·m)
3/8"-16 pernos (carcasa de hierro fundido)	37 lbs.-pie (50 N·m)
1/2"-13 pernos (carcasa de hierro fundido)	90 lbs.-pie (122 N·m)
3/4"-10 pernos (carcasa de hierro fundido)	175 lbs.-pie (237 N·m)
14. Verifique que la unidad reensamblada no experimente agarrotamiento. Haga rotar el eje con la herramienta apropiada desde el extremo del motor.
15. Si hubiera rozamiento, afloje los pernos de la carcasa y realice la secuencia de ajuste otra vez.

16. Vuelva a colocar los pernos de sujeción del motor y el tapón o la cubierta del extremo del motor en las unidades de acoplamiento corto.
  17. Vuelva a colocar los pernos de sujeción del acoplamiento, el espaciador, el protector de acoplamiento y el bastidor en las unidades montadas en bastidor.
- ATENCIÓN: SIEMPRE VUELVA A VERIFICAR AMBAS ALINEACIONES LUEGO DE EFECTUAR ALGÚN AJUSTE.**
18. Para realinear el eje, consulte la sección “**ALINEACIÓN DEL ACOPLAMIENTO**” en este manual.
  19. El reensamblaje está ahora completo.

### Instrucciones para la caja prensaestopas

1. Asegúrese de que la caja prensaestopas esté limpia y libre de materias extrañas antes de comenzar la empaquetadura. Consulte el título Ensamblaje por Secciones en la sección de repuestos.
2. Sea especialmente cuidadoso durante la instalación de los anillos de empaque porque están formados con matriz. Para instalarlos, retuerza el anillo hacia el costado lo suficiente como para poder colocarlo alrededor de la camisa del eje. **NO INTENTE RETIRAR LOS ANILLOS JALANDO DIRECTAMENTE.** Observe la figura 7.

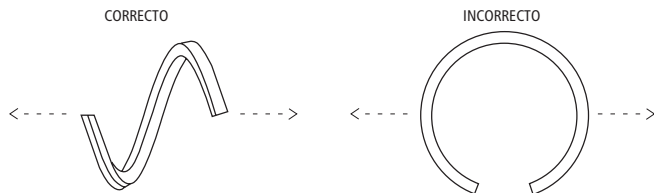
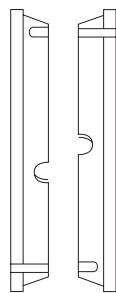


Figura 7

3. Instale el aro de linterna de Teflon de dos piezas provisto según se muestra en la figura 8. Nota: dos piezas conforman un aro. Las muescas del anillo deben enfrentarse, pero el alineamiento no es necesario.



Aro de linterna de Teflon  
Figura 8

4. Para empaquetar la caja prensaestopas, instale los anillos de empaque y el aro de linterna en la secuencia siguiente. Instale dos anillos de empaquetadura, luego el aro de linterna, y luego los tres anillos de empaquetadura restantes. Instale cada anillo por separado y asíntelo firmemente. Se recomienda el uso de un manguito dividido de madera para esta operación. Vea la figura 9. Use el casquillo para mover el manguito y el anillo dentro de la caja. Alterne las juntas en cada aro 90°. Asegúrese de que la toma embutida en la caja prensaestopas se alinea con el centro del aro de linterna. Los anillos extra son de repuesto.

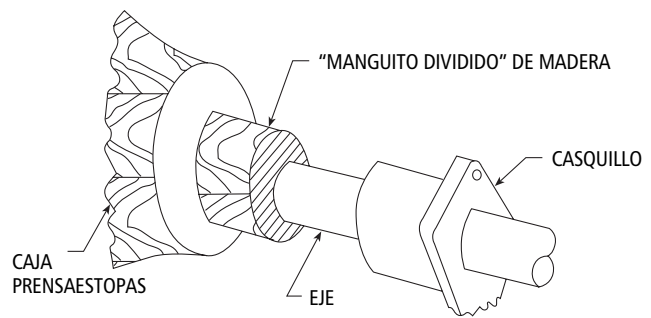


Figura 9

5. Ajuste las tuercas del casquillo en forma pareja pero sin ajustar mucho. Cuando se arranca la bomba, lentamente ajuste las tuercas del casquillo hasta que la pérdida llegue a entre 40 y 60 gotas por minuto. Se puede utilizar un lubricante a base de grasa cuando el líquido bombeado contiene partículas abrasivas o para mejorar la carga de succión.

### PARA RETIRAR LA CAJA PRENSAESTOPAS

- Para retirar las empaquetaduras de la caja prensaestopas siga estos pasos.
  1. Retire el conjunto del casquillo.
  2. Retire la empaquetadura con un “gancho de empaque”.
  3. Inserte un gancho de alambre en el anillo en el borde exterior para retirar el aro de linterna.
  4. Limpie la caja prensaestopas.

### Guía de resolución de problemas



**DESCONECTE Y BLOQUEE LA ALIMENTACIÓN ELÉCTRICA ANTES DE INTENTAR TAREAS DE MANTENIMIENTO. EL NO HACERLO PUEDE OCASIONAR DESCARGAS ELÉCTRICAS, QUEMADURAS O INCLUSO LA MUERTE.**

#### SÍNTOMA

**EL MOTOR NO FUNCIONA**

Vea las causas probables N° 1 a 5

**SE ENTREGA POCO O NADA DE LÍQUIDO**

Vea las causas probables N° 6 a 13

**CONSUMO EXCESIVO DE ELECTRICIDAD**

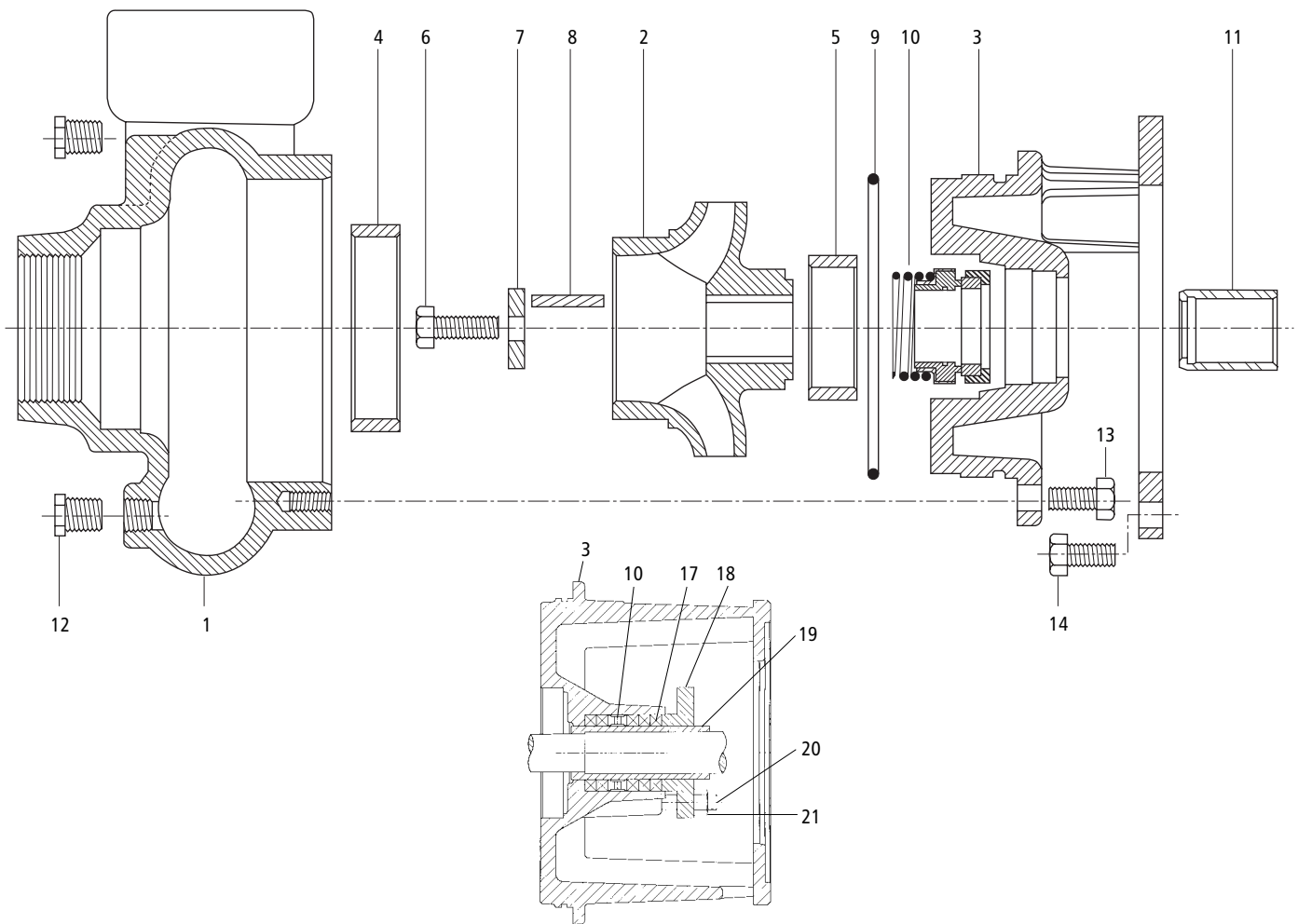
Vea las causas probables N° 3, 13, 14 y 15

**RUIDO O VIBRACIÓN EXCESIVOS**

Vea las causas probables N° 3, 6, 7 10, 12, 14, 16 y 17

#### CAUSA PROBABLE

1. Se disparó el protector térmico del motor
2. Interruptor de circuito abierto o fusible quemado
3. Agarrotamiento del impulsor
4. El cableado del motor es incorrecto
5. El motor es defectuoso
6. La bomba no está cebada, hay aire o gases en el bombeo
7. Descarga o succión bloqueadas o válvula cerrada
8. Rotación incorrecta (motor trifásico solamente)
9. Bajo voltaje o pérdida de fase
10. Impulsor gastado o tapado
11. Altura del sistema muy alta
12. NPSHA muy baja – Elevación excesiva de succión o pérdidas
13. Diámetro incorrecto del impulsor
14. Altura de descarga muy baja — velocidad excesiva del flujo
15. Viscosidad o gravedad específica del fluido muy altas
16. Cojinete gastado
17. Bomba, motor o tubería flojos



Conjunto de la caja prensaestopas

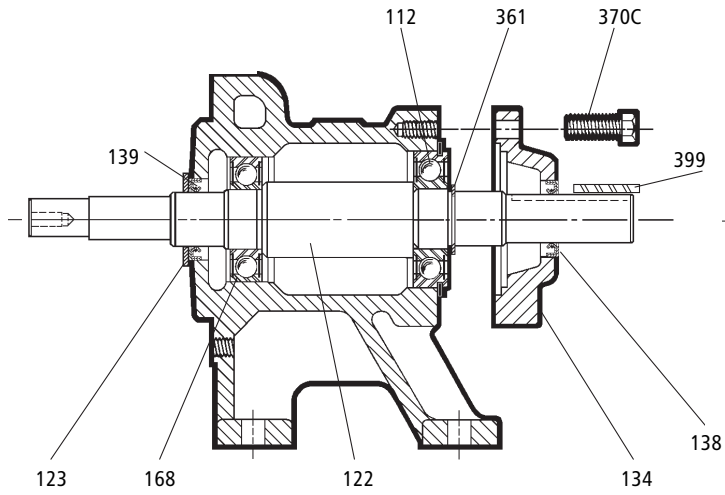
COMPONENTES DEL EXTREMO DEL LÍQUIDO

No. ítem	Descripción	Material
1	Carcasa	Hierro fundido o bronce
2	Impulsor	
3	Adaptador	
4	Anillo de desgaste (carcasa)	
5*	Anillo de desgaste (compartimiento de sellos)	Hierro fundido o bronce
6	Perno del impulsor	Acero inoxidable tipo AISI 300
7	Arandela del impulsor	
8	Chaveta del impulsor	
9	Anillo en O del compartimiento de sellos.	BUNA-N
10	Sello mecánico	Consulte la tabla
11	Camisa del eje	Acero inoxidable tipo AISI 300
12	Tapón de drenaje – ¼ ó ¾ NPT	Acero o latón
13	Tornillo de cabeza hexagonal (de la carcasa al adaptador)	Acero
14	Tornillo de cabeza hexagonal (del adaptador al motor/bastidor)	
15	Tornillo de cabeza hexagonal (del adaptador al compartimiento de sellos)	
16	Aro de linterna	Teflon™
17	Empaque, 5 anillos	Impregnado de Teflon
18	Casquillo	Acero inoxidable AISI 316
19	Camisa del eje	Acero inoxidable tipo AISI 300
20	Perno del casquillo	
21	Tuerca del casquillo	

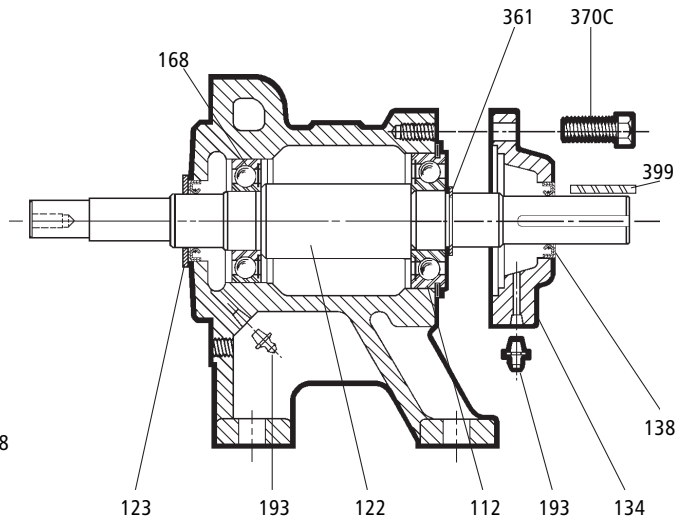
COMPONENTES DEL EXTREMO DE POTENCIA (ilustrados en la página siguiente)

No. ítem	Descripción	Material
112	Cojinete de bolas (exterior)	Acero
122	Eje de la bomba	
123	Anillo en V (Deflector)	BUNA-N
134	Cubierta del cojinete	Hierro fundido
138	Sello de reborde (exterior)	BUNA-N
139	Sello de reborde (interior)	
168	Cojinete de bolas (interior)	Acero
193	Accesorio para grasa (excepto en el grupo S)	
327C	Tornillo (cubierta a adaptador) (SAE únicamente)	Hierro fundido
340	Adaptador/motor (SAE únicamente)	
361	Anillo de retención	Acero
370C	Tornillo de cabeza hexagonal (del marco a la cubierta)	
371C	Tornillo de cabeza hexagonal (del adaptador al marco) (SAE únicamente)	
399	Chaveta, acoplamiento	
501N	Cubierta/adaptador (SAE únicamente)	Acero galvanizado

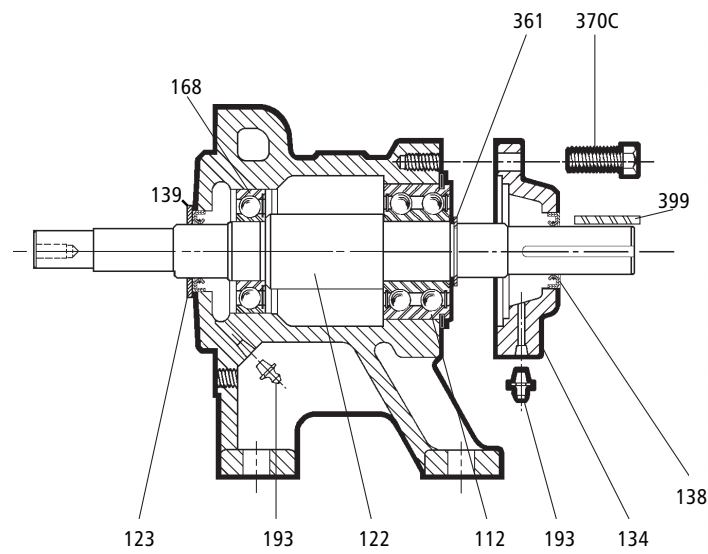
\* El ítem No. 5 se provee con los modelos 2½ x 3-7 (7½, 10 y 15 HP) del grupo S y con el grupo M (excepto 3 x 4-10).



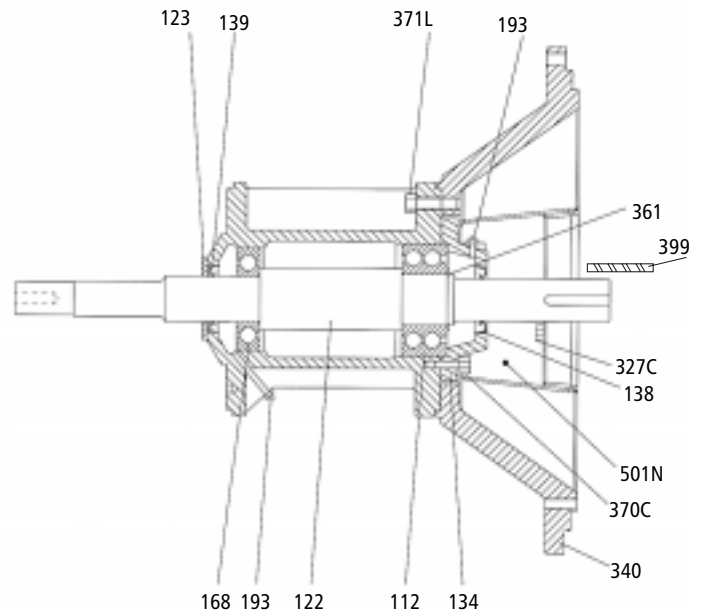
Cuadro de fuerza, Grupo S



Cuadro de fuerza, Grupo M



Cuadro de fuerza, Grupo L



Cuadro de fuerza, SAE





### **GARANTÍA LIMITADA DE GOULDS PUMPS**

Esta garantía es aplicable a todas las bombas para sistemas de agua fabricadas por Goulds Pumps.

Toda parte o partes que resulten defectuosas dentro del período de garantía serán reemplazadas, sin cargo para el comerciante, durante dicho período de garantía. Tal período de garantía se extiende por doce (12) meses a partir de la fecha de instalación, o dieciocho (18) meses a partir de la fecha de fabricación, cualquiera que se cumpla primero.

Todo comerciante que considere que existe lugar a un reclamo de garantía deberá ponerse en contacto con el distribuidor autorizado de Goulds Pumps del cual adquiriera la bomba, y ofrecer información detallada con respecto al reclamo. El distribuidor está autorizado a liquidar todos los reclamos por garantía a través del Departamento de Servicios a Clientes de Goulds Pumps.

**La presente garantía excluye:**

- (a) La mano de obra, el transporte y los costos relacionados en los que incurra el comerciante;
- (b) los costos de reinstalación del equipo reparado;
- (c) los costos de reinstalación del equipo reemplazado;
- (d) daños emergentes de cualquier naturaleza; y
- (e) el reembolso de cualquier pérdida causada por la interrupción del servicio.

**A los fines de esta garantía, los términos “Distribuidor”, “Comerciante” y “Cliente” se definen como sigue:**

- (1) “Distribuidor” es aquel individuo, sociedad, corporación, asociación u otra entidad jurídica que opera entre Goulds y el comerciante para la compra, consignación o contratos de venta de las bombas en cuestión.
- (2) “Comerciante” es todo individuo, sociedad, corporación, asociación u otra entidad jurídica que realiza negocios de venta o alquiler-venta (leasing) de bombas a clientes.
- (3) “Cliente” es toda entidad que compra o que adquiere bajo la modalidad de leasing las bombas en cuestión de un comerciante. El término “cliente” puede significar un individuo, sociedad, corporación, sociedad de responsabilidad limitada, asociación o cualquier otra entidad jurídica con actividades en cualquier tipo de negocios.

**LA PRESENTE GARANTÍA SE EXTIENDE AL COMERCIANTE ÚNICAMENTE.**

Goulds Pumps



# Directives d'installation, d'utilisation et d'entretien



# Modèles 3656 et 3756



## Table des matières

SUJET	PAGE
Consignes de sécurité .....	26
Description et caractéristiques .....	26
Données techniques .....	26
Installation .....	26
Emplacement .....	26
Groupes monobloc (pompes sur moteur) .....	26
Pompes sur palier .....	27
Pompes sur palier SAE (moteur thermique) .....	27
Alignement de l'accouplement .....	27
Pompes sur palier seulement .....	27
Tuyauterie .....	28
Aspiration .....	28
Refoulement .....	28
Câblage et mise à la terre .....	28
Sens de rotation .....	29
Utilisation .....	29
Entretien .....	29
Démontage .....	29
Remontage .....	30
Presse-garniture .....	31
Diagnostic des anomalies .....	31
Pièces de rechange – séries 3656 et 3756 .....	32
Garantie limitée de Goulds Pumps .....	36

### Informations pour le propriétaire

Noter les informations pertinentes ci-dessous et remettre le livret à la ou au propriétaire. La garantie est présentée en page 36.

Numéro de modèle : \_\_\_\_\_

Numéro de série : \_\_\_\_\_

Détaillant : \_\_\_\_\_

N° de téléphone du détaillant : \_\_\_\_\_

Date d'achat : \_\_\_\_\_ Date d'installation : \_\_\_\_\_

Goulds Pumps

## CONSIGNES DE SÉCURITÉ

**AFIN DE PRÉVENIR LES BLESSURES GRAVES OU MORTELLES ET LES DOMMAGES MATÉRIELS IMPORTANTS, LIRE ET SUIVRE TOUTES LES CONSIGNES DE SÉCURITÉ FIGURANT DANS CE MANUEL ET SUR LA POMPE.**



Le symbole ci-contre est un **SYMBOLE DE SÉCURITÉ** employé pour signaler les mots-indicateurs dont on trouvera la description ci-dessous. Sa présence sert à attirer l'attention afin d'éviter les blessures et les dommages matériels.



**DANGER** Prévient des risques qui **VONT** causer des blessures graves, la mort ou des dommages matériels importants.



**AVERTISSEMENT** Prévient des risques qui **PEUVENT** causer des blessures graves, la mort ou des dommages matériels importants.



**ATTENTION** Prévient des risques qui **PEUVENT** causer des blessures ou des dommages matériels.

**AVIS : SERT À ÉNONCER LES DIRECTIVES SPÉCIALES DE GRANDE IMPORTANCE QUE L'ON DOIT SUIVRE.**

**LE PRÉSENT MANUEL A POUR BUT DE FACILITER L'INSTALLATION ET L'UTILISATION DE LA POMPE. LIRE SOIGNEUSEMENT CHAQUE DIRECTIVE ET AVERTISSEMENT AVANT D'EFFECTUER TOUT TRAVAIL SUR LA POMPE.**

**N'ENLEVER AUCUNE DÉCALCOMANIE DE SÉCURITÉ.**

**AVIS : INSPECTER L'APPAREIL ET SIGNALER IMMÉDIATEMENT TOUT DOMMAGE AU TRANSPORTEUR OU AU DÉTAILLANT.**



**APPAREIL NON CONÇU POUR LES LIQUIDES DANGEREUX NI POUR LES GAZ INFLAMMABLES.**



Les fluides dangereux peuvent causer un incendie, des brûlures ou la mort.

## DESCRIPTION et CARACTÉRISTIQUES

Les pompes de séries 3656 et 3756 sont des pompes centrifuges à un étage, à aspiration en bout, servant au transfert de liquides et au pompage de nature générale, ainsi qu'à l'augmentation de pression et à l'irrigation. Elles sont offertes en trois versions : tout fonte, avec composants en bronze ou tout bronze (groupe S seulement).

Les pompes sont munies d'une roue fermée, clavetée sur l'arbre et retenue par une rondelle et une vis. Le corps de pompe est du type à volute, à bagues d'usure remplaçables.

Selon les dimensions de la pompe, les raccords d'aspiration et de refoulement sont filetés ou à brides. Des chemises d'arbre en inox protègent l'arbre.

Les groupes monobloc (pompes sur moteur) sont dotés de moteurs JM ou JP conformes aux normes NEMA, d'un adaptateur en C et d'un arbre-rallonge claveté. Les paliers SAE sont vissés au carter de volant du moteur thermique par l'intermédiaire d'un support SAE de format n° 1, 2, 3, 4 ou 5. Des accouplements en élastomère sont offerts en option pour les diamètres de volant de 6½ po, 7½ po, 8 po, 10 po, 11½ po et 14 po. Les pompes montées sur palier peuvent être entraînées par accouplement ou par courroie.

## Données techniques

Température maximale du liquide :

100 °C (212 °F), avec garniture mécanique ou d'étanchéité standard ;

120 °C (250 °F), avec garniture mécanique pour hautes températures, en option.

Pression de service maximale :

1,379 MPa (200 lb/po<sup>2</sup>), avec raccords NPT ;

1,207 MPa (175 lb/po<sup>2</sup>), avec raccords à bride ANSI 125.

Pression d'aspiration maximale : 689,5 kPa (100 lb/po<sup>2</sup>)

Démarrages par heure : 20, répartis uniformément

Groupe	Dimensions	Aspiration	Refoulement
S	1½ x 2-6 (H)	2 po, NPT	1½ po, NPT
	1 x 2-7	2 po, NPT	1 po, NPT
	2½ x 3-7	3 po, NPT	2½ po, NPT
	3 x 4-7	4 po, à bride	3 po, à bride
	1 x 2-8	2 po, NPT	1 po, NPT
LH	1½ x 2-8	2 po, NPT	1½ po, NPT
	2 x 2-5	2 po, NPT	2 po, NPT
	2½ x 2½-5	2½ po, NPT	2½ po, NPT
M	3 x 3-5	3 po, NPT	3 po, NPT
	2½ x 3-8	3 po, NPT	2½ po, NPT
	3 x 4-8	4 po, à bride	3 po, à bride
	4 x 5-8	5 po, à bride	4 po, à bride
	1½ x 2-10	2 po, NPT	1½ po, NPT
	2½ x 3-10	3 po, à bride	2½ po, à bride
	3 x 4-10	4 po, à bride	3 po, à bride
	4 x 6-10	6 po, à bride	4 po, à bride
	2½ x 3-13	3 po, à bride	2½ po, à bride
	3 x 4-13	4 po, à bride	3 po, à bride
L	4 x 6-13	6 po, à bride	4 po, à bride
	6 x 8-13	8 po, à bride	6 po, à bride
	8 x 10-13	10 po, à bride	8 po, à bride
	4 x 6-16	6 po, à bride	4 po, à bride

## Installation

### EMPLACEMENT

- Placer la pompe aussi près de la source de liquide que possible, plus bas que celle-ci pour assurer l'amorçage automatique.
- Le dégagement autour du groupe de pompage doit être suffisant pour faciliter l'entretien et l'aération.
- Protéger l'appareil contre les intempéries, les inondations et le gel.
- Protéger la tuyauterie contre le gel.

### GROUPES MONOBLOC (POMPES SUR MOTEUR)

- Le groupe monobloc peut être installé à l'horizontale, à la verticale ou sur une surface inclinée, le moteur plus haut que la pompe.
- Les pattes de fixation du moteur **DOIVENT** être ancrées à une surface solide et rigide pouvant supporter tout le poids du groupe monobloc. Dans le cas du groupe L, les

pattes de l'adaptateur de moteur doivent aussi être ancrées à cette surface.

- S'il s'agit d'une installation verticale, protéger le moteur contre les intempéries, les éclaboussures, la condensation, etc.

**AVIS :** NE PAS PLACER LE MOTEUR PLUS BAS QUE LA POMPE AFIN DE LE PROTÉGER CONTRE LES FUITES ET L'EAU DE CONDENSATION.

### POMPES SUR PALIER

- On **DOIT** fixer le groupe de pompage à une surface plane et solide pour prévenir toute déformation ou contrainte due au serrage des boulons d'ancrage. Le montage sur support en caoutchouc est permis pour réduire les vibrations et le bruit excessifs.
- Serrer les boulons de fixation du moteur **AVANT** de raccorder la tuyauterie à la pompe.

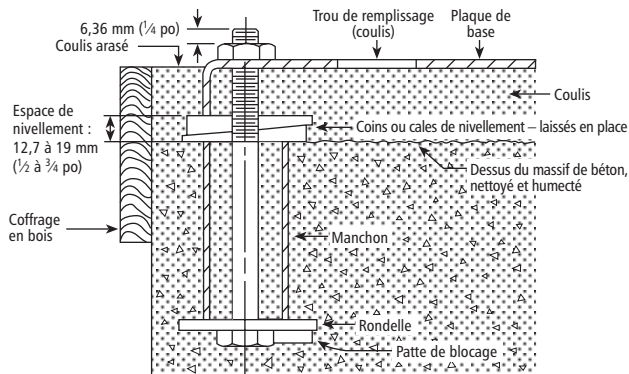


Figure 1

- On **DOIT** remplir de coulis le vide entre la plaque de base et le massif de béton. Le massif doit reposer sur une semelle de fondations solide. (Voir la figure 1.)
- Placer des coins de nivellement sous le groupe de pompage : en deux endroits distincts sous le centre approximatif du moteur et en deux autres sous celui de la pompe. Régler la hauteur des coins pour que les raccords d'aspiration et de refoulement soient de niveau (employer un fil à plomb ou un niveau).
- S'assurer que la plaque de base n'est pas déformée et que l'alignement final de l'accouplement est possible dans les limites de déplacement du moteur ou en calant celui-ci au besoin.
- Serrer les boulons d'ancrage à la main et construire un coffrage autour de la plaque de base. Remplir entièrement le coffrage et le dessous de la plaque de coulis : s'assurer qu'il n'y a aucun creux sous les pattes de fixation de la pompe et du moteur.
- Laisser le coulis durcir pendant 48 heures avant de visser les boulons d'ancrage à fond.
- Serrer les boulons de fixation de la pompe et du moteur avant d'aligner les arbres ou de raccorder la tuyauterie à la pompe.

### Pompes sur palier SAE (moteur thermique)

- Le palier SAE est fixé au carter de volant du moteur thermique par le biais d'un support SAE de format n° 1, 2, 3, 4 ou 5. L'arbre-rallonge de la pompe est conçu pour être accouplé directement au volant. Goulds offre des accouplements en option pour les diamètres de volant de 6½ po, 7½ po, 8 po, 10 po, 11½ po et 14 po. Bien que l'on puisse employer d'autres accouplements, il est recommandé d'utiliser les accouplements Goulds, conçus pour assurer un fonctionnement fiable et de longue durée.

### INSTALLATION

- S'il s'agit d'une installation horizontale, on peut placer l'orifice de refoulement dans n'importe laquelle des positions permises par les vis (371) du corps de pompe. Il est toutefois recommandé de garder l'orifice de refoulement plus haut que l'orifice d'aspiration.
- Chaque corps de pompe doit être soutenu par un support rigide assujéti à la plaque de base ou au massif de béton.
- Dans le cas des pompes du groupe M, on recommande de fixer le support à l'anneau-adaptateur du moteur avec au moins deux (2) des vis (371) du corps de pompe. Des vis plus longues seront alors probablement nécessaires. Employer des vis SAE d'indice 5, serrées au couple indiqué dans le présent manuel.
- Pour le groupe L, on recommande de supporter la pompe à l'aide des deux pattes moulées de l'adaptateur de moteur (108). Les pattes doivent être vissées au support.
- Avant de fixer la pompe au moteur thermique, nettoyer soigneusement le volant et le carter de volant.
- Pour les accouplements Goulds en option, s'assurer que la vis de pression du moyeu d'accouplement est suffisamment dévissée pour permettre l'insertion de la clavette dans sa rainure pendant le montage. Fixer l'accouplement au volant avec les vis fournies, serrées en croix au couple approprié ci-dessous :
  - volant de 6½ po ou de 7½ po – 15 N·m (11 lbf·pi) ;
  - volant de 8, de 10 ou de 11½ po – 27 N·m (20 lbf·pi) ;
  - volant de 14 po – 68 N·m (50 lbf·pi).
 (Pour tout autre accouplement, suivre les directives d'installation recommandées par le fabricant.)
- Poser la clavette dans la rainure de l'arbre de pompe (122), aligner l'arbre sur l'accouplement, puis engager l'arbre dans ce dernier jusqu'à ce que l'anneau-adaptateur (340) du moteur thermique touche le carter de volant du moteur.
- Assujétir la pompe au moteur avec les rondelles-freins et les vis fournies, serrées en croix au couple approprié ci-dessous :
  - indices SAE n° 2, 3, 4, et 5 – 27 N·m (20 lbf·pi) ;
  - indice SAE n° 1 – 68 N·m (50 lbf·pi).
- Poser le carter d'accouplement (501N).
- Visser l'adaptateur de moteur (108) au support rigide précité.

### Alignement de l'accouplement



**OMETTRE LE VERROUILLAGE DU CIRCUIT D'ALIMENTATION ÉLECTRIQUE EN POSITION OUVERTE AVANT D'EFFECTUER TOUT TRAVAIL D'ENTRETIEN SUR LA POMPE PEUT CAUSER DES BLESSURES GRAVES.**

### POMPES SUR PALIER SEULEMENT

- On **DOIT** vérifier l'alignement avant la mise en service de la pompe (fig. 2).

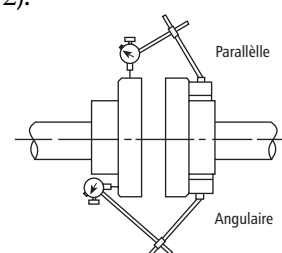


Figure 2

- Serrer tous les boulons de fixation avant de vérifier l'alignement.
- Lorsqu'un alignement est nécessaire, on doit toujours déplacer uniquement le moteur. Employer des cales au besoin.
- Désalignement parallèle (arbres parallèles mais non concentriques) – Fixer au moyeu d'un demi-accouplement un comparateur à cadran, dont on déplace le curseur de 360° le long de la jante de l'autre demi-accouplement tout en notant l'écart indiqué par l'aiguille. L'alignement est correct si le faux-rond total est de 0,127 mm (0,005 po) ou moins.
- Désalignement angulaire (arbres concentriques mais non parallèles) – Fixer au moyeu d'un demi-accouplement un comparateur à cadran et déplacer le curseur de celui-ci de 360° le long du plateau de l'autre demi-accouplement tout en notant l'écart indiqué par l'aiguille. L'alignement est correct si le faux-rond total est de 0,127 mm (0,005 po) ou moins.
- L'alignement final est correct quand il est conforme aux exigences sur l'alignement parallèle et angulaire après le serrage à fond des boulons de fixation du moteur.

**AVIS :** IL FAUT TOUJOURS VÉRIFIER LES DEUX TYPES D'ALIGNEMENT APRÈS CHAQUE RÉGLAGE MÉCANIQUE.

### Tuyauterie

- Afin de réduire les pertes de charge (par frottement) au minimum, maintenir la tuyauterie aussi courte que possible, ne pas employer un calibre de tuyau inférieur à celui des raccords d'aspiration et de refoulement de la pompe ni utiliser d'accessoires ou de raccords de tuyauterie superflus.
- La tuyauterie **DOIT** posséder ses propres supports et N'appliquer **AUCUNE** contrainte sur la pompe.

**AVIS :** LA TUYAUTERIE NE DOIT APPLIQUER AUCUNE CONTRAINTE SUR LES RACCORDS D'ASPIRATION ET DE REFOULEMENT DE LA POMPE.

- Chaque joint **DOIT** être étanche.

### ASPIRATION

- Si la hauteur d'aspiration dépasse 3 m (10 pi), et la température du liquide, 49 °C (120 °F), consulter la courbe de performances de la pompe pour obtenir la hauteur nette d'aspiration requise (NPSHR).
- Lorsqu'il faut un tuyau d'aspiration plus gros que l'orifice d'aspiration de la pompe, on **DOIT** poser un raccord réducteur excentré (la partie droite en haut) près de l'orifice.
- Si la pompe est plus basse que la source de liquide, poser un robinet-vanne sur le tuyau d'aspiration pour pouvoir effectuer l'inspection et l'entretien de la pompe.

**AVIS :** NE PAS EMPLOYER LE ROBINET-VANNE POUR RÉDUIRE L'ÉCOULEMENT DU LIQUIDE VERS LA POMPE, CAR CELA POURRAIT DÉSAMORCER CELLE-CI, EN CAUSER LA SURCHAUFFE ET L'ENDOMMAGER, ANNULANT AINSI LA GARANTIE.

- Lorsque la pompe est plus haute que la source de liquide, on **DOIT** suivre les directives suivantes :
  - Prévenir les poches d'air en ne posant aucun élément de la tuyauterie d'aspiration plus haut que le raccord d'aspiration de la pompe.
  - Incliner la tuyauterie vers le haut à partir de la source de liquide.
  - Employer un clapet de pied **SEULEMENT** s'il est nécessaire pour amorcer la pompe ou la maintenir amorcée au cours des interruptions de service.

- La section de passage de la crépine ou de la tulipe d'aspiration doit être au moins le triple de celle du tuyau d'aspiration.
- S'assurer que le diamètre ( $d$ ) et la hauteur d'immersion ( $h$ ) de l'orifice d'entrée du tuyau d'aspiration sont suffisants pour empêcher l'aspiration d'air par vortex (fig. 3 à 6).

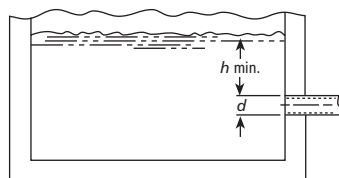


Figure 3

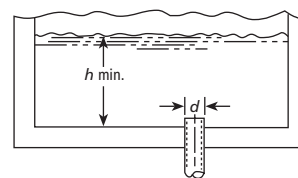


Figure 4

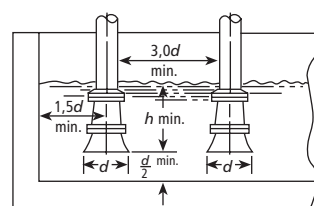


Figure 5

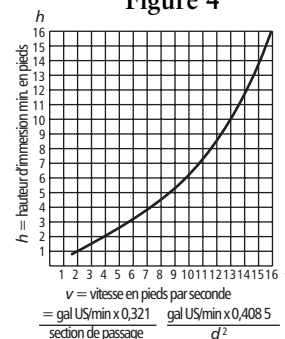


Figure 6

### REFOULEMENT

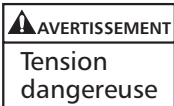
- Poser un clapet de non-retour convenant au débit et aux liquides pompés. En aval du clapet, installer un robinet-vanne de section de passage appropriée pour la régularisation du débit ainsi que l'inspection et l'entretien de la pompe.
- Lorsqu'un raccord agrandisseur est nécessaire, le poser entre le clapet de non-retour et l'orifice de refoulement de la pompe.

### Câblage et mise à la terre



- Installer la pompe, la mettre à la terre et la brancher suivant les prescriptions du code provincial ou national de l'électricité.
- Poser un sectionneur tout conducteur près de la pompe.
- Verrouiller le circuit d'alimentation électrique de la pompe en position ouverte avant de procéder à l'installation ou à l'entretien de la pompe.

- L'alimentation électrique **DOIT** être conforme aux spécifications de la plaque signalétique. Une tension inappropriée peut causer un incendie ou des dommages au moteur et annule la garantie.
- Les moteurs monophasés non protégés **DOIVENT** être munis de contacteurs et de protections contre les surcharges thermiques, et les moteurs triphasés, de démarreurs à protection contre la surcharge. Consulter la plaque signalétique du moteur.
- N'utiliser que du fil de cuivre pour la mise à la terre et l'alimentation du moteur. Le calibre du fil de terre **DOIT** être au moins égal à celui des fils d'alimentation, et les fils devraient tous être chromocodés pour faciliter l'entretien.
- Suivre soigneusement le schéma de câblage sur la plaque signalétique ou le cache-bornes du moteur.



OMETTRE LA MISE À LA TERRE PERMANENTE DE LA POMPE, DU MOTEUR ET DES COMMANDES AVANT LE BRANCHEMENT À LA SOURCE DE COURANT PEUT CAUSER UN CHOC ÉLECTRIQUE, DES BRÛLURES OU LA MORT.

### Sens de rotation

**AVIS :** LA ROTATION DANS LE MAUVAIS SENS PEUT ENDOMMAGER LA POMPE ET ANNULE LA GARANTIE.

- La rotation appropriée est EN SENS HORAIRE (vers la droite), vue de l'extrémité du moteur. S'il s'agit d'une pompe sur palier, la mettre en marche, puis l'arrêter rapidement tout en vérifiant son sens de rotation. Dans le cas des pompes sur moteur, enlever l'obturateur ou le couvercle d'extrémité du moteur et vérifier le sens de rotation.
- Pour inverser la rotation des moteurs triphasés, en intervertir deux des conducteurs.

### Utilisation



NE PAS FAIRE FONCTIONNER LES POMPES SUR PALIER (ORDINAIRE OU SAE) SANS CARTER D'ACCOUPEMENT, CAR CELA POURRAIT CAUSER DES BLESSURES GRAVES.



ÉCLABOUSSER OU PLONGER UN MOTEUR ABRITÉ DANS UN LIQUIDE PEUT CAUSER UN INCENDIE, UN CHOC ÉLECTRIQUE, DES BRÛLURES OU LA MORT.



NE PAS FAIRE FONCTIONNER LA POMPE SI SON DÉBIT EST NUL OU PRESQUE, SINON IL POURRAIT EN RÉSULTER UN ÉCHAUFFEMENT EXCESSIF, DES BLESSURES OU DES DOMMAGES MATÉRIELS.

**AVIS :** NE PAS FAIRE FONCTIONNER LA POMPE À SEC POUR NE PAS ENDOMMAGER LA GARNITURE MÉCANIQUE.

- Faire fonctionner la pompe dans des conditions de service normales, attendre que le système se stabilise, puis vérifier la tuyauterie et en régler la position des supports au besoin.
- La différence de température entre la pompe sur palier et le moteur peut provoquer le désalignement de l'accouplement. Par conséquent, vérifier l'alignement de nouveau en respectant les directives et les avertissements de la section « **Alignement de l'accouplement** » ci-dessus.

### Entretien



OMETTRE LE VERROUILLAGE DU CIRCUIT D'ALIMENTATION ÉLECTRIQUE EN POSITION OUVERTE AVANT D'EFFECTUER TOUT TRAVAIL D'ENTRETIEN SUR LA POMPE PEUT CAUSER UN CHOC ÉLECTRIQUE, DES BRÛLURES OU LA MORT.



OMETTRE DE RÉDUIRE LA PRESSION DU SYSTÈME OU DE VIDANGER CELUI-CI AVANT DE PROCÉDER À L'ENTRETIEN PEUT CAUSER DES DOMMAGES MATÉRIELS ET DES BLESSURES, VOIRE LA MORT.



LORSQUE LES LIQUIDES POMPÉS SONT DANGEREUX OU TOXIQUES, ON DOIT RINCER LE SYSTÈME AVANT D'EN EFFECTUER L'ENTRETIEN.

### GROUPES MONOBLOC

- Les roulements sont situés à l'intérieur du moteur. Suivre les directives du fabricant du moteur pour leur graissage.

### POMPES SUR PALIER

- Les roulements de palier du modèle 3756, groupe S, sont graissés à vie. Il est donc impossible et inutile de les graisser.
- Les roulements de palier SAE et de palier modèle 3756, groupes M et L, devraient être graissés à la fin de la période suivante arrivant la première : 2 000 heures de fonctionnement ou trois mois de temps écoulé. Employer une graisse au lithium ou au sodium n° 2. Injecter la graisse dans le roulement jusqu'à ce qu'elle sorte par les garnitures ou les joints à lèvres, puis essuyer le surplus.
- Suivre les directives du fabricant du moteur et de l'accouplement pour le graissage.
- Vérifier l'alignement de nouveau.

### ENTRETIEN SAISONNIER

- Avant la MISE HORS SERVICE de la pompe, enlever le bouchon de vidange et vidanger tous les tuyaux non protégés du gel.
- Avant la REMISE EN SERVICE de la pompe, garnir les filets du bouchon de vidange de ruban de Téflon<sup>MC</sup> ou l'équivalent et reposer le bouchon.
- Si le tuyau d'aspiration a été séparé de la pompe, en examiner le raccord union, le réparer au besoin, puis raccorder le tuyau.
- Consulter la section « Utilisation » ci-dessus.

### Démontage

- Suivre CHAQUE avertissement et directive de la section « **Entretien** » ci-dessus.
- Groupes monobloc : enlever les boulons de fixation du moteur.

- Pompes sur palier : déposer le carter d'accouplement, la pièce d'écartement de l'accouplement, l'accouplement et les boulons de fixation du palier.

## POMPE

1. Enlever les vis (371) du corps de pompe.
2. Écarter l'ensemble d'entraînement d'avec le corps de pompe (100).
3. Retirer la bague d'usure (103) du corps de pompe si elle est trop usée.

**AVIS :** NE PAS INSÉRER DE TOURNEVIS ENTRE LES AUBES DE LA ROUE POUR EMPÊCHER CELLE-CI DE TOURNER.

4. Dans le cas des groupes monobloc (pompes sur moteur), enlever l'obturateur ou le couvercle d'extrémité du moteur pour accéder à la fente ou aux méplats de blocage du bout d'arbre.
5. Bloquer l'arbre de la pompe sur moteur avec l'outil approprié et celui de la pompe sur palier avec un serre-tubes à sangle, puis enlever et jeter la vis (198) de la roue : on devra peut-être chauffer la vis au chalumeau d'abord.

**AVIS :** MANIPULER LA VIS DE LA ROUE AVEC PRÉCAUTION QUAND ELLE EST CHAUDE.

6. Jeter la rondelle (199) de la roue.
7. Enlever la roue (101) **DÉLICATEMENT** au moyen de deux leviers placés entre celle-ci et le logement de garniture mécanique (184), dans un angle de 180°.
8. Ôter la clavette (178).
9. Déposer les vis (370B) du logement de garniture mécanique (184), puis tirer le logement pour l'enlever avec la garniture. Jeter cette dernière ainsi que le joint torique (513) du logement. Pour les directives portant sur le presse-garniture, voir la section « **Presse-garniture** ».
10. Enlever les vis (370) de l'adaptateur, puis l'adaptateur (108).
11. Inspecter la chemise d'arbre (126). Si elle trop rayée, la chauffer au chalumeau, l'enlever et la jeter.

**AVIS :** MANIPULER LA CHEMISE D'ARBRE AVEC PRÉCAUTION QUAND ELLE EST CHAUDE.

12. Pousser l'élément fixe de la garniture mécanique hors du logement et le jeter.
13. Dans le cas des logements de garniture munis d'une bague d'usure (203), enlever la bague si elle est trop usée.

## DÉMONTAGE DU PALIER (ORDINAIRE OU SAE)

1. Ôter le déflecteur (123) de l'arbre.
2. Enlever le couvercle de palier (134).
3. Sortir l'ensemble arbre du palier.
4. Si les joints à lèvres (138 et 139) sont usés, les enlever du couvercle de palier (134) et du corps de palier (228) et les jeter.
5. Déposer la bague de retenue (361).
6. Avec un arrache-roulement ou une presse à mandriner, ôter les roulements (112 et 168).

## Remontage

- Chaque pièce devrait être nettoyée avant le remontage.

**AVIS :** ON DEVRAIT REMPLACER LE JOINT TORIQUE CHAQUE FOIS QUE LA POMPE EST DÉMONTÉE.

## PALIER

1. Remplacer les joints à lèvres s'ils ont été enlevés.

2. Remplacer les roulements à billes s'ils ont du jeu, s'ils ne tournent pas rond ou s'ils sont bruyants.
3. Vérifier si l'arbre (122) comporte un faux-rond : le faux-rond maximal admissible est de 0,05 mm (0,002 po).
4. Voir les directives de graissage des pompes du groupe M dans la section « **Entretien** ».

## POMPE

1. Inspecter l'arbre et enlever les aspérités et les résidus.
2. Appliquer de l'apprêt Primer T de LOCQUIC<sup>MD</sup> ou l'équivalent sur l'arbre : suivre les directives du fabricant avec soin.
3. Lorsque l'on pose une chemise d'arbre neuve, en enduire la paroi intérieure d'apprêt Primer T de LOCQUIC<sup>MD</sup> ou l'équivalent. Laisser l'apprêt sécher, puis le recouvrir de LOCTITE<sup>MD</sup> n° 262. Poser ensuite la chemise sur l'arbre dans un mouvement de rotation, puis essuyer l'arbre. Laisser le produit durcir suivant les directives pertinentes.

**AVIS :** LA GARNITURE MÉCANIQUE DOIT ÊTRE REMPLACÉE CHAQUE FOIS QU'ON L'ENLÈVE. SUIVRE LES DIRECTIVES DU FABRICANT DE LA GARNITURE AVEC SOIN. POUR LES PRESSE-GARNITURE, VOIR LA SECTION « **Presse-garniture** ».

4. Si l'on a retiré la bague d'usure du logement de garniture mécanique, la remplacer.
5. On peut tremper l'élément fixe de la garniture mécanique dans l'eau pour en faciliter la pose. L'aligner ensuite avec soin sur son logement. En recouvrir la surface polie avec un morceau de carton mince ou d'essuie-tout. Pousser l'élément jusqu'au fond avec un morceau de plastique ou de bois rond pour répartir uniformément la force appliquée.
6. Poser l'adaptateur sur le moteur, la face plate de l'adaptateur contre le moteur.
7. Mettre le joint torique sur le logement de garniture. On peut glycéliner ou tremper le joint dans l'eau pour en faciliter la pose. Poser le logement de garniture sur l'adaptateur. Prendre garde que l'arbre ne déloge l'élément fixe de la garniture ni n'en endommage le siège.
8. Poser l'élément mobile de la garniture sur l'arbre en l'alignant avec soin et en le poussant à fond contre l'élément fixe.

**AVIS :** REMPLACER LA VIS ET LA RONDELLE DE LA ROUE CHAQUE FOIS QU'ON ÔTE LA ROUE.

9. Insérer la clavette de la roue dans sa rainure, poser la roue sur l'arbre en la poussant à fond et la maintenir en place.
10. Placer une rondelle neuve contre la roue.
11. Enduire de LOCTITE<sup>MD</sup> n° 262 ou l'équivalent les filets de la vis neuve de la roue, puis poser la vis et la serrer à :  
 $\frac{3}{8}$  vis, 16 po 20 N·m (27 lbf·pi)  
 $\frac{1}{2}$  vis, 13 po 38 N·m (51 lbf·pi)
12. Si l'on a retiré la bague d'usure du corps de pompe, la remplacer.
13. Poser les vis du corps de pompe et les serrer en croix au couple approprié ci-dessous :  
16 vis,  $\frac{3}{8}$  po (corps en bronze) – 34 N·m (25 lbf·pi) ;  
16 vis,  $\frac{3}{8}$  po (corps en fonte) – 50 N·m (37 lbf·pi) ;  
13 vis,  $\frac{1}{2}$  po (corps en fonte) – 122 N·m (90 lbf·pi) ;  
10 vis,  $\frac{3}{4}$  po (corps en fonte) – 237 N·m (175 lbf·pi).
14. Une fois la pompe remontée, faire tourner l'arbre par l'extrémité du moteur avec l'outil approprié pour vérifier s'il y a grippage.
15. En cas de grippage ou de frottement, desserrer les vis du corps de pompe, puis les serrer de nouveau.

16. Dans le cas des groupes monobloc, reposer les boulons de fixation, puis l'obturateur ou le couvercle d'extrémité du moteur.
  17. S'il s'agit d'une pompe sur palier, reposer l'accouplement, la pièce d'écartement, le carter d'accouplement et les boulons de fixation du palier.
- AVIS : IL FAUT TOUJOURS VÉRIFIER LES DEUX TYPES D'ALIGNEMENT APRÈS CHAQUE RÉGLAGE MÉCANIQUE.**
18. Voir la section « **Alignement de l'accouplement** » pour aligner celui-ci de nouveau.
  19. Le remontage est maintenant terminé.

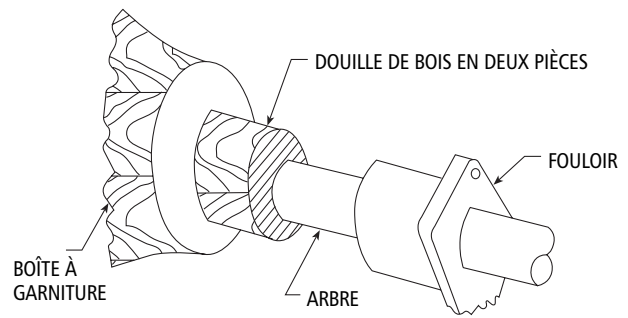


Figure 9

## Presse-garniture

1. S'assurer que le presse-garniture est propre et exempt de corps étrangers avant d'y placer la garniture. Voir le presse-garniture illustré dans la section « Pièces de rechange – séries 3656 et 3756 ».
2. Poser les anneaux de garniture avec précaution parce qu'ils sont matricés. Mettre chaque anneau en place en en écartant les extrémités par torsion juste assez pour y introduire la chemise d'arbre. **NE PAS ESSAYER D'ÉCARTER LES EXTRÉMITÉS EN LIGNE DROITE.** Voir la figure 7.

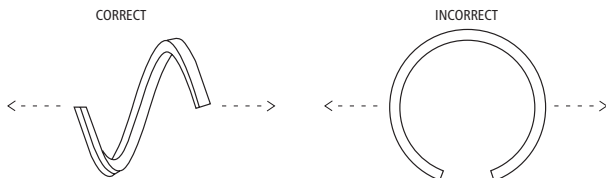
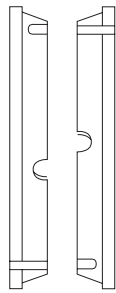


Figure 7

3. Placer les deux pièces en Téflon (fournies) de la lanterne d'arrosage comme le montre la figure 8. Les encoches doivent être l'une en face de l'autre, sans être obligatoirement alignées.



Lanterne d'arrosage en Téflon (deux pièces)

Figure 8

4. On pose les éléments de garniture dans l'ordre suivant : deux anneaux de garniture, deux pièces de lanterne d'arrosage, trois anneaux de garniture. Placer le joint de chaque anneau à 90° par rapport à celui de l'anneau précédent. Introduire et pousser chaque élément séparément et à fond. Pour ce faire, il est recommandé d'employer une douille de bois en deux pièces (fig. 9), enfoncée à l'aide du fouloir. S'assurer que la lanterne d'arrosage est bien en face de l'orifice d'admission du liquide de rinçage. Les anneaux de garniture supplémentaires servent de rechanges.
5. Poser les écrous sur les goujons du fouloir et les serrer légèrement et uniformément. Après la mise en marche de la pompe, les serrer davantage et lentement jusqu'à ce que le débit de suintement soit de 40-60 gouttes par minute. On peut utiliser une graisse lubrifiante quand le liquide pompé contient des particules abrasives ou que la pression à l'entrée de la pompe est inférieure à la pression atmosphérique.

## ENLÈVEMENT DE LA GARNITURE

- Suivre les étapes ci-dessous pour retirer la garniture du presse-garniture.
  1. Enlever le fouloir.
  2. Extraire la garniture avec un « crochet à garniture ».
  3. Introduire un crochet en métal dans un des orifices du pourtour des pièces de lanterne d'arrosage, puis retirer ces dernières.
  4. Nettoyer le presse-garniture.

## Diagnostic des anomalies



**VERROUILLER LE CIRCUIT D'ALIMENTATION ÉLECTRIQUE EN POSITION OUVERTE AVANT D'EFFECTUER TOUT TRAVAIL D'ENTRETIEN SUR LA POMPE. OMETTRE CE POINT PEUT CAUSER UN CHOC ÉLECTRIQUE, DES BRÛLURES OU LA MORT.**

### ANOMALIE

LE MOTEUR NE FONCTIONNE PAS.

(V. causes probables 1 à 5.)

LE DÉBIT DE REFOULEMENT EST FAIBLE OU NUL.

(V. causes probables 6 à 13.)

LA POMPE CONSOMME TROP D'ÉNERGIE.

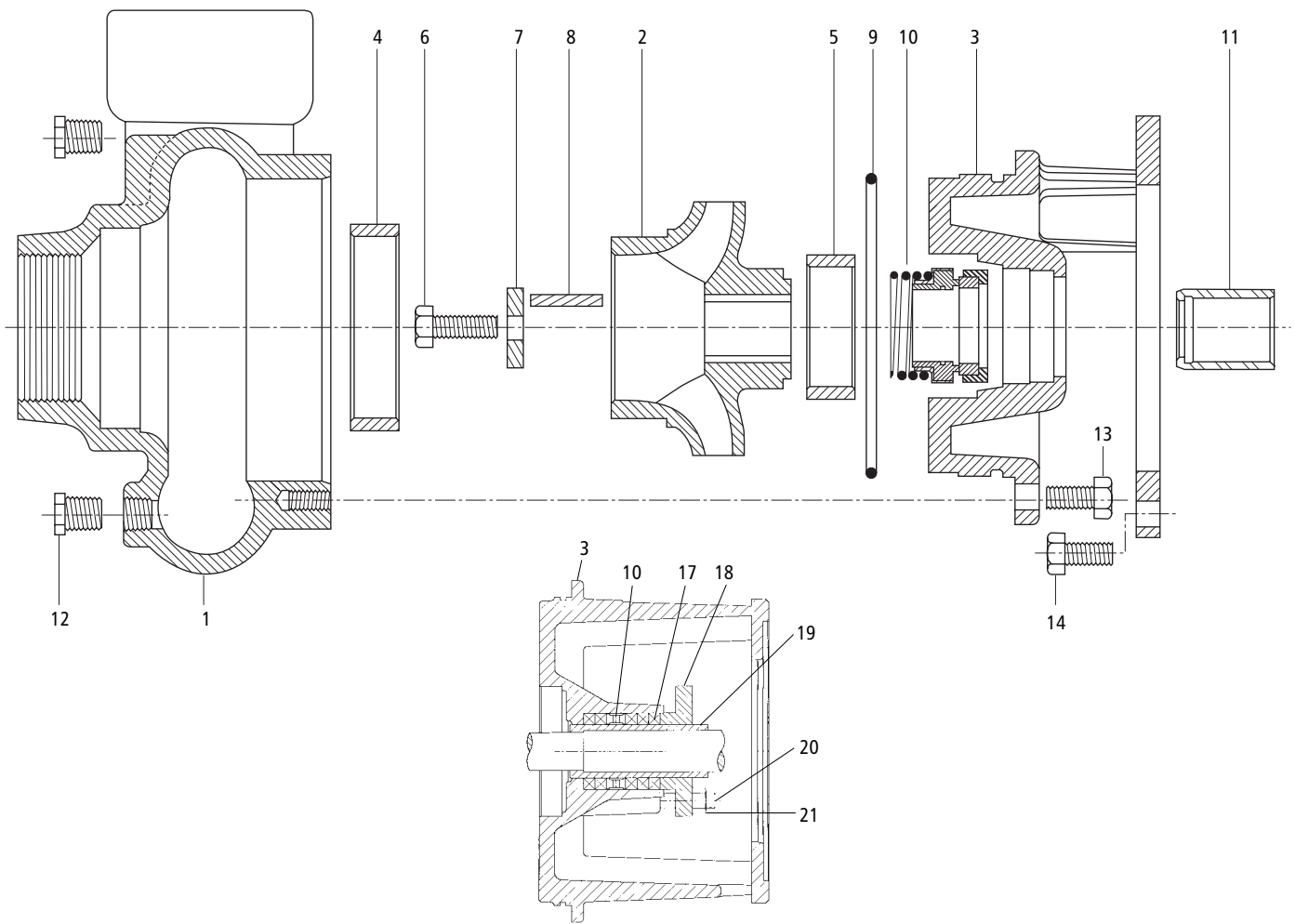
(V. causes probables 3, 13, 14 et 15.)

LA VIBRATION ET LE BRUIT SONT EXCESSIFS.

(V. causes probables 3, 6, 7, 10, 12, 14, 16, et 17.)

### CAUSES PROBABLES

1. Protecteur thermique du moteur déclenché
2. Disjoncteur ouvert ou fusible sauté
3. Roue grippée
4. Câblage incorrect
5. Moteur défectueux
6. Pompe non amorcée, air ou gaz présent dans le liquide pompé
7. Tuyau d'aspiration ou de refoulement obstrué ou robinet(s) fermé(s)
8. Mauvais sens de rotation (moteurs triphasés seulement)
9. Basse tension électrique ou perte de phase
10. Roue usée ou engorgée
11. Hauteur de charge trop élevée du système
12. Hauteur nette d'aspiration disponible (NPSHA) : hauteur ou perte d'aspiration excessives
13. Diamètre de roue inapproprié
14. Hauteur de refoulement trop faible – débit excessif
15. Viscosité ou densité trop élevée du liquide
16. Roulement usé
17. Pompe, moteur ou tuyauterie mal assujettis



Composants du presse-garniture

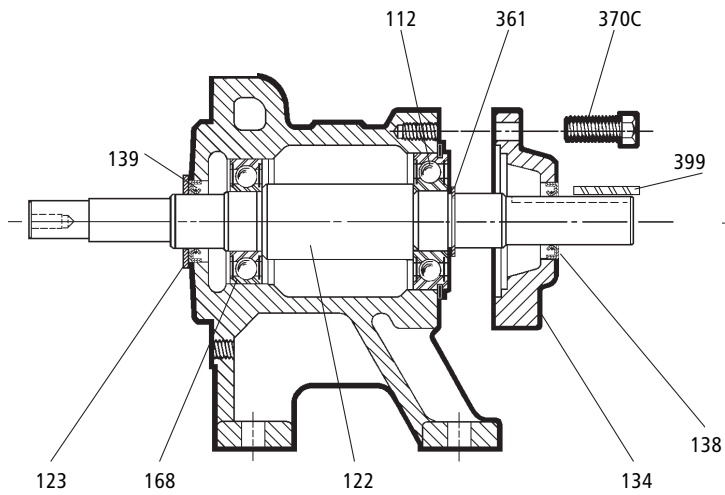
COMPOSANTS DE LA POMPE

N° d'article	Description	Matériau
1	Corps de pompe	Fonte ou bronze
2	Roue	
3	Adaptateur	
4	Bague d'usure (corps de pompe)	Fonte ou bronze
5*	Bague d'usure (logement de garniture méc.)	
6	Vis (roue)	Inox AISI, type 300
7	Rondelle (roue)	
8	Clavette (roue)	Buna-N
9	Joint torique (logement de garniture méc.)	
10	Garniture mécanique	v. table pertinente
11	Chemise d'arbre	Inox AISI, type 300
12	Bouchon de vidange, ¼ et ⅜ po NPT	Acier ou laiton
13	Vis à tête hex. (adaptateur-corps de pompe)	Acier
14	Vis à tête hex. (adapt.-moteur, adapt.-palier)	
15	Vis à tête hex. (adaptateur-logem. de garn.)	
16	Lanterne d'arrosage	Téflon <sup>MC</sup>
17	Anneaux de garniture (cinq)	Téflon <sup>MC</sup> imprégné
18	Fouloir	Inox AISI 316
19	Chemise d'arbre	Inox AISI, type 300
20	Goujon de fouloir	
21	Écrou de fouloir	

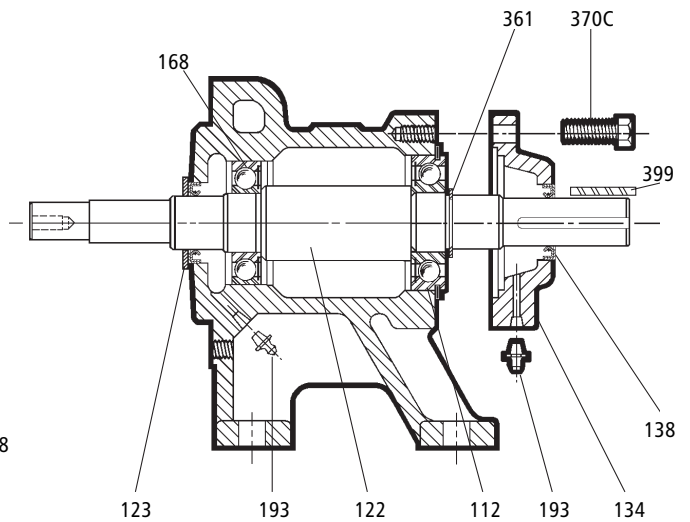
COMPOSANTS DES PALIERS (v. page suivante)

N° d'article	Description	Matériau
112	Roulement à billes externe	Acier
122	Arbre de pompe	
123	Déflecteur annulaire en V	Buna-N
134	Couvercle de palier	Fonte
138	Joint à lèvres externe	Buna-N
139	Joint à lèvres interne	
168	Roulement à billes interne	Acier
193	Graisser (groupe S excepté)	
327C	Vis (couvercle de l'adaptateur) – SAE seulement	Fonte
340	Adaptateur de moteur thermique SAE	
361	Bague de retenue	Acier
370C	Vis à tête hex. (couvercle-palier)	
371C	Vis à tête hex. (adaptateur-palier) – SAE seulement	
399	Clavette (accouplement)	Acier galvanisé
501N	Couvercle de l'adaptateur – SAE seulement	

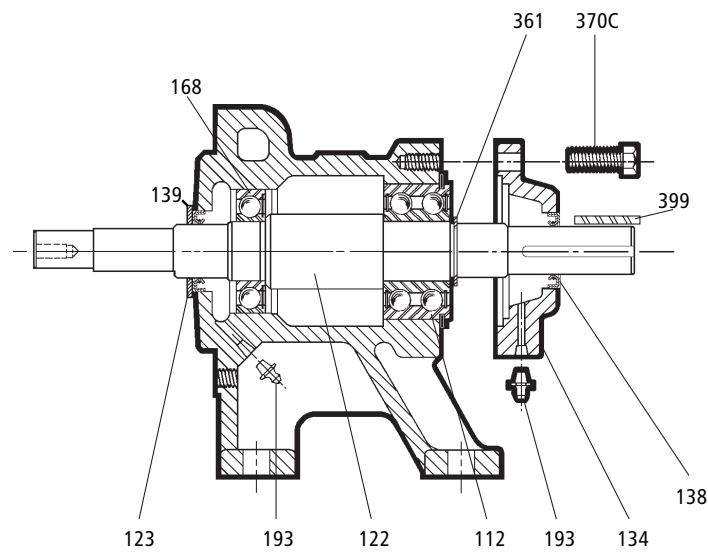
\*L'article 5 est fourni pour le groupe S, dimensions 2½x3-7 (7½, 10 et 15 hp), et le groupe M (sauf les dimensions 3x4-10).



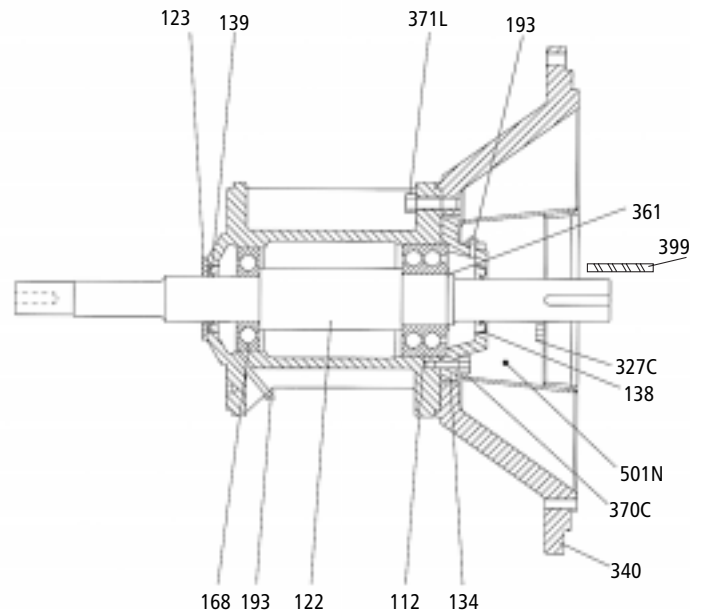
Palier du groupe S



Palier du groupe M



Palier du groupe L



Palier SAE





### GARANTIE LIMITÉE DE GOULDS PUMPS

La présente garantie s'applique à chaque pompe de système d'alimentation en eau fabriquée par Goulds Pumps.

Toute pièce se révélant défectueuse sera remplacée sans frais pour le détaillant durant la période de garantie suivante expirant la première : douze (12) mois à compter de la date d'installation ou dix-huit (18) mois à partir de la date de fabrication.

Le détaillant qui, aux termes de cette garantie, désire effectuer une demande de règlement doit s'adresser au distributeur Goulds Pumps agréé chez lequel la pompe a été achetée et fournir tous les détails à l'appui de sa demande. Le distributeur est autorisé à régler toute demande par le biais du service à la clientèle de Goulds Pumps.

**La garantie ne couvre pas :**

- a) les frais de main-d'oeuvre ou de transport ni les frais connexes encourus par le détaillant ;
- b) les frais de réinstallation de l'équipement réparé ;
- c) les frais de réinstallation de l'équipement de remplacement ;
- d) les dommages indirects de quelque nature que ce soit ;
- e) ni les pertes découlant de la panne.

**Aux fins de la présente garantie, les termes ci-dessous sont définis comme suit :**

- 1) « Distributeur » signifie une personne, une société de personnes, une société de capitaux, une association ou autre entité juridique servant d'intermédiaire entre Goulds Pumps et le détaillant pour les achats, les consignations ou les contrats de vente des pompes en question.
- 2) « Détaillant » veut dire une personne, une société de personnes, une société de capitaux, une association ou autre entité juridique dont les activités commerciales sont la vente ou la location de pompes à des clients.
- 3) « Client » signifie une entité qui achète ou loue les pompes en question chez un détaillant. Un « client » peut être une personne, une société de personnes, une société de capitaux, une société à responsabilité limitée, une association ou autre entité juridique se livrant à quelque activité que ce soit.

**CETTE GARANTIE SE RAPPORTE AU DÉTAILLANT SEULEMENT.**