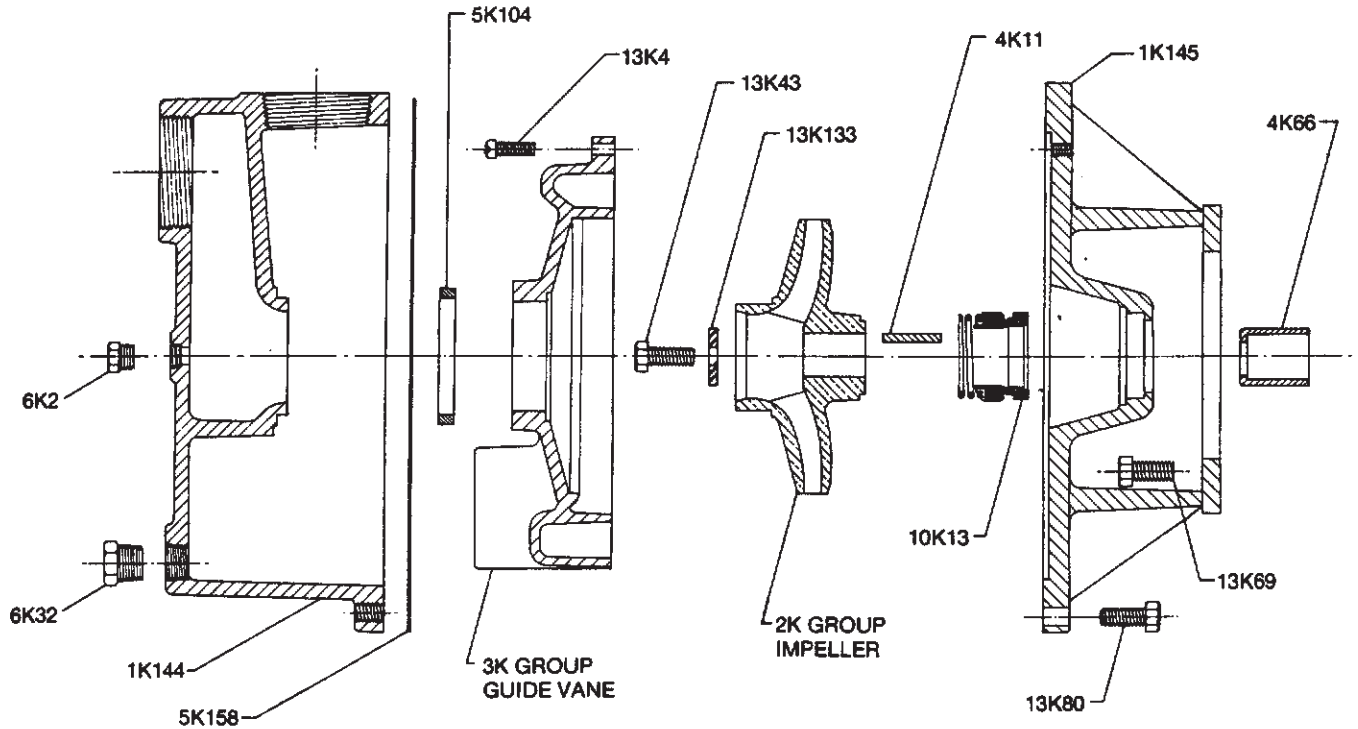


Repair Parts

MODEL

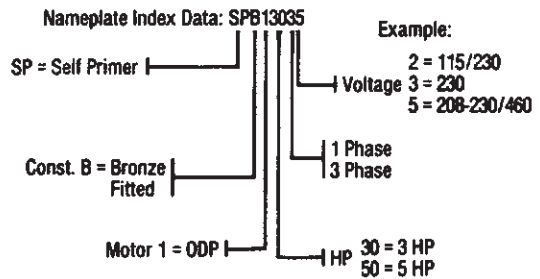


3656 SP



PART NO.	PART NAME	MATERIAL	PATTERN NO.
1K144	Casing 2 x 2 - 6	Cast Iron	59011
1K145	Adapter (140-180 FR)	Cast Iron	59077
2K119	Impeller 5 ^{5/8} " (5 HP)	Bronze	57185
2K123	Impeller 5 ^{1/2} " (3 HP "M")	Bronze	57185
2K153	Impeller 5 ^{5/8} " (3 HP "H")	Bronze	57196
3K57	Guidevane (3 HP "H")	Bronze	59012
3K58	Guidevane (5 HP)	Bronze	57197
3K59	Guidevane (3 HP "M")	Bronze	57204
4K11	Impeller Key	18-8 SS	
4K66	Shaft Sleeve	18-8 SS	
4K282	Motor Spacer (140 FR)	Carbon Steel	NS*
4K283	Motor Spacer (180 FR)	Carbon Steel	NS*
5K104	Guidevane Seal Ring	BUNA	
5K158	Gasket-Casing	Composite	
6K2	Plug 1/4 NPT	Pttd. Steel	
6K32	Plug 1/4 NPT	Pttd. Steel	
10K13	Shaft Seal Assembly	Crane Type 21	
13K3	Hex Cap Screw	Pttd. Steel	NS**
13K4	Fillister Head Screw	303 SS	GV. to Adapter
13K43	Impeller Bolt	18-8 SS	
13K69	Hex Cap Screw	Pttd. Steel	Adapter to Motor
13K71	Hex Cap Screw	Pttd. Steel	NS***
13K80	Hex Cap Screw	Pttd. Steel	Adapter to Casing
13K133	Impeller Washer	18-8 SS	
AL27121	Loctite #271		

Notes: Casings include plugs.
Bond & seal shaft sleeve to shaft with Loctite #AL27121.



Note: Impellers on 3 φ units are Loctited to motor shaft. Impeller and bolt must be heated to be removed. When replacing impeller, use Loctite AL27121. See instruction manual.

Note: Consult factory when ordering repair parts for pumps having a factory order number as the pump index number.

*Not shown
**Not shown-motor to 140 FR spacer
***Not shown-motor to 180 FR spacer