

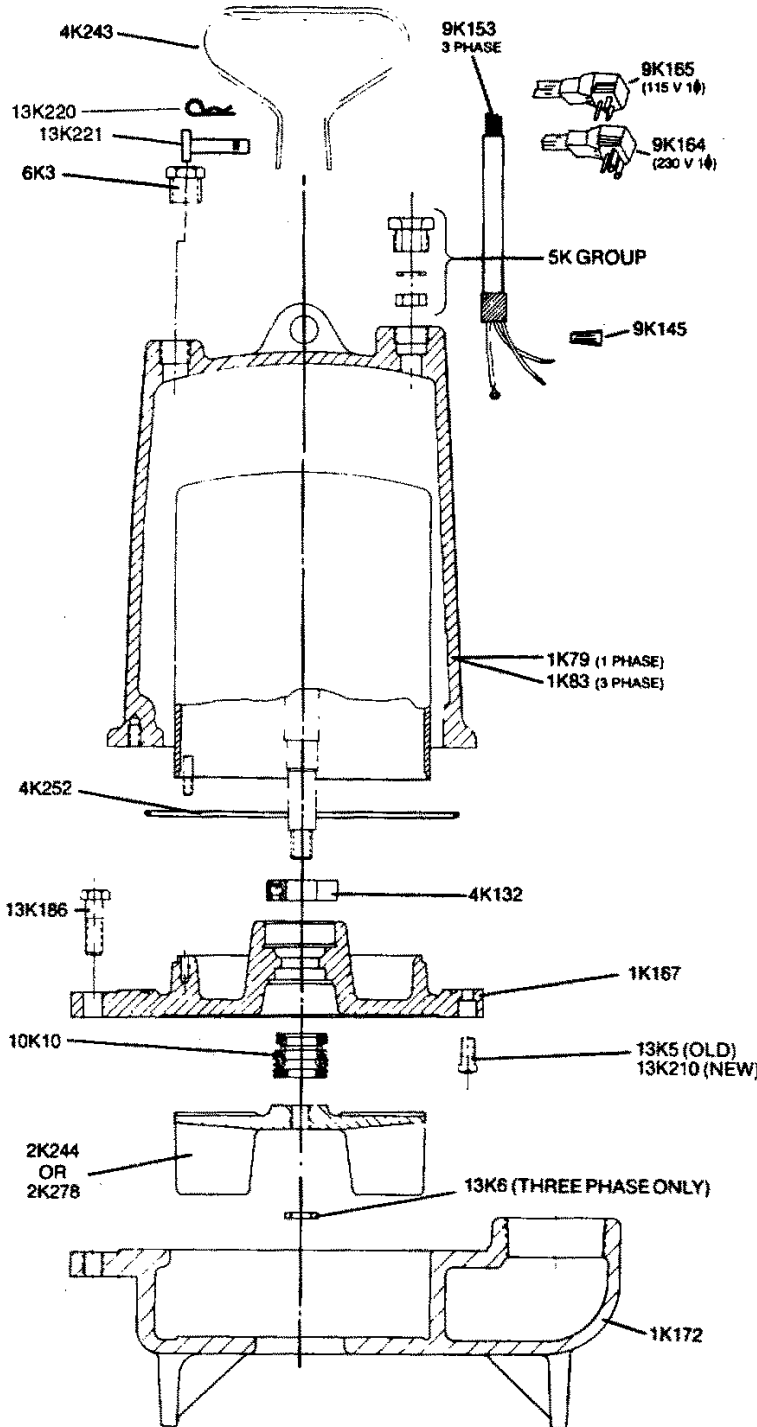
# Repair Parts

MODEL



# 3886

Effective December, 1991



PART NO.	PART NAME	PATTERN NO.		
1K172	Casing	59116		
1K79	Motor Cover-1 Phase	56887		
1K83	Motor Cover-3 Phase	56887		
1K167	Stuffing Box	59113		
2K244	Impeller, Cast Iron	59125		
2K278	Impeller, Bronze	59125		
4K132	Ball Bearing			
4K243	Lift Handle			
4K245	Insulating Oil (Gal.)-6 Pts. Req.			
4K252	O-Ring			
5K111	Strain Relief Assembly-3 Phase			
5K113	Strain Relief Assembly-1 Phase			
6K3	Plug 1/4" NPT			
9K145	Insulating Connector-3 Phase Only			
9K153	Cord Set-3 Phase (Except CSA)			
9K164	Cord Set-1 Phase 230V (Except CSA)			
9K165	Cord Set-1 Phase 115V (Except CSA)			
9K181	Cord Set-3 Phase CSA			
9K195	Cord Set-1 Phase 115V CSA			
9K196	Cord Set-1 Phase 230V CSA			
10K10	Mechanical Seal Assembly			
13K5	Fillister Head Screw (1/4-20)			
13K20	Socket Head Screw (1/4-18)			
13K6	Impeller Locknut-3 Phase Models			
13K186	Hex Cap Screw-St. Box to Casing			
13K220	Hair Pin			
13K221	Handle Pin			
AL27121	Loctite #271			
Repair Motor Numbers				
HP	Phase	Voltage	RPM	Order #
1/2	1	115	1750	118-12-03
1/2	1	230	1750	118-12-04
1/2	3	208/230/460	1750	118-13-02

Note: Impellers on 3ø units are Loctited to motor shaft. Impellers and locknuts must be heated to be removed. When replacing impeller, use Loctite AL27121. See instruction manual.