

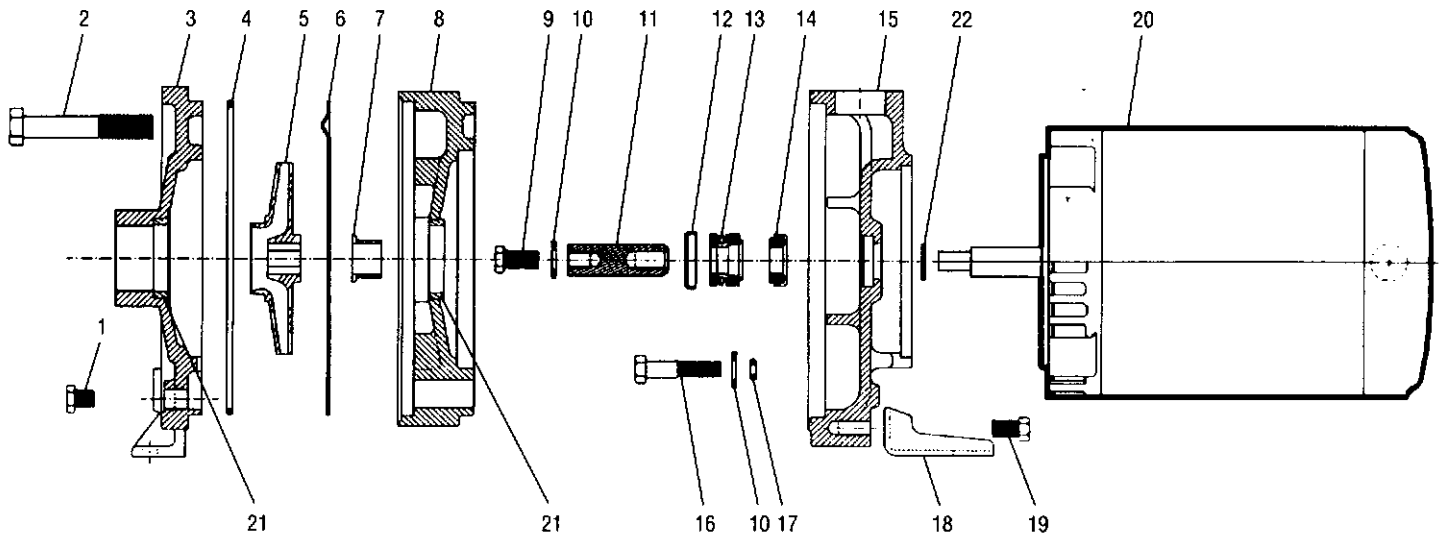
Repair Parts

MODEL



HSC

Effective July, 1993



ITEM	PART NO.	PART NAME	QTY.	PATTERN NO.
3	①1K291	Casing	1	59039
8	1K204	Intermediate Stage	(1 - 2 stage) (2 - 3 stage)	59157
15	1K206	Motor Adapter	1	59156
5	2K322	Impeller - ¼ HP	2	
	2K289	Impeller - 1 HP	2	
	2K323	Impeller - 1½ HP	2	
	2K289	Impeller - 2 HP	3	
18	4K308	Foot ¼ and 1 HP	1	
18	4K373	Foot 1½ and 2 HP	1	
21	4K327	Wear Ring	(1 per 1K291 and 1K204)	
7	4K328	Sleeve	(1 - 2 stage) (2 - 3 stage)	
6	4K329	Coverplate	(1 per impeller)	
12	4K330	Seal Retainer	1	
9, 10,	②4K331	Shaft Extension Assembly -	1	
11, 12	②4K332	2 stage, ¼, 1 and 1½ HP Shaft Extension Assembly - 3 stage, 2 HP	1	
22	5K7	Deflector	1	
17	5K147	O-Ring - motor adapter bolts	4	
4	5K178	O-Ring - casing and intermediate stage	1 per stage	
1	6K2	Pipe Plug ¼" NPT	3	
13	10K10	Shaft Seal Assembly - 1½ and 2 HP	1	
9	13K43	Impeller Bolt	1	
19	13K71	Bolt - foot to adapter	1	
16	13K81	Bolt - adapter to motor	4	
10	13K212	Washer - impeller (1) and adapter	4	
2	13K213	Bolt - casing to adapter, 2 stage	4	
2	13K214	Bolt - casing to adapter, 3 stage	4	

MOTOR CODES			
Item	HP	Model	Order No.
20	¼	HSC07	J05853
	1	HSC10	J06853
	1½	HSC15	J07858
	2	HSC20	J08854

① 1K291 casing replaced the 1K201 which was on both the HSJ and the original HSC.

② Shaft Extension Assemblies 4K331 and 4K332 include: shaft extension, 4K330 seal retainer, 13K43 impeller bolt and 13K212 washer.