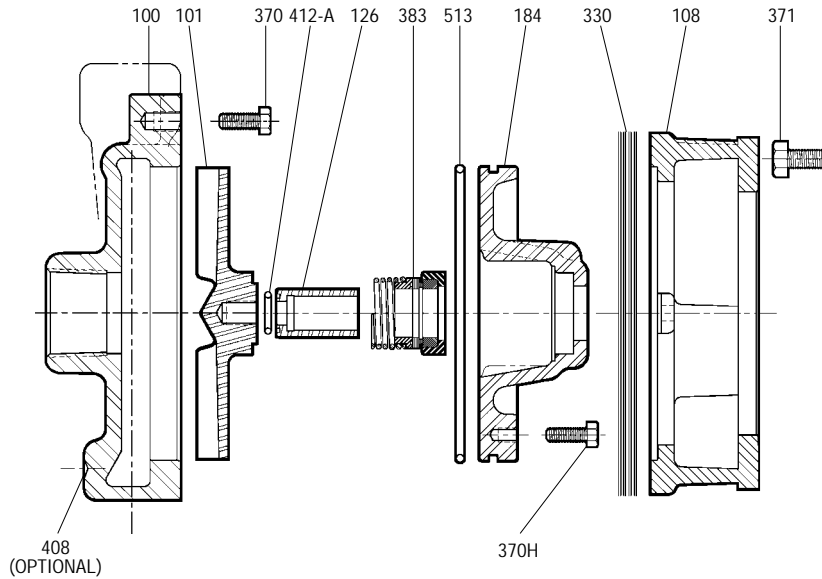




For XS-Group power frame individual parts, see XS-Group power frame repair parts page.



# Repair Parts

**MODEL**



# ICS/ ICS-F

Effective May, 1994

**REPLACEMENT PARTS LISTING**

**PART ORDER NO.**

Item No.	Description	Materials of Construction	1 SS 1 x 1 1/4 - 5		2 SS 1 1/4 x 1 1/2 - 5	
			1K278	1K279	ODP	TEFC
100	Casing	AISI 316 SS	1K278		1K279	
101	Impeller		ODP	TEFC	ODP	TEFC
	1/2 HP model		2K510	—	2K511	—
	3/4 HP model		2K508	2K510	2K509	2K511
	1 HP model		2K506	2K508	2K507	2K509
	1 1/2 HP model		2K504	2K506	2K505	2K507
	2 HP model		2K503	2K504	2K504	2K505
	3 HP model		2K499	2K500	2K501	2K502
108	Adapter	Cast iron	1K281			
126	Shaft sleeve	AISI 316 SS	4K382			
184	Seal housing		1K280			
240	Motor support		Steel	9K187		
	Rubber channel	Rubber	9K188			
330	Shim pack	Plastic	4K383			
370	H.H. screw, adapter to casing	AISI 316 SS	13K157			
370H	H.H. screw, adapter to seal hsg.		13K257			
371	H.H. screw, adapter to motor		13K256			
383	Mechanical seal	standard	Carbon/ceramic/viton			
		optional	Carbon/ni-resist/EPR			
		optional	Carbon/tung-carbide/viton			
412A	O-ring, impeller	Viton	5K215			
513	O-ring, casing		5K 216			

**IMPELLER REFERENCE CHART**

Part No.	Diameter
2K499	5 3/8
2K500	5 1/8
2K501	5
2K502	4 7/8
2K503	4 3/4
2K504	4 1/2
2K505	4 1/4
2K506	3 15/16
2K507	3 3/4
2K508	3 1/2
2K509	3 3/8
2K510	3 3/16
2K511	3

**NOTE:** For complete power frame assembly use part #14L61.

**For ICS Close Coupled Only**

Motor RPM	NEMA Standard 56J Flange	Single Phase		Three Phase	
		ODP	TEFC	ODP	TEFC
Motor RPM	1/2 HP, 1750 RPM	C04811	C04812	C04831	C04832
	1/2 HP, 3500 RPM	BBC04853	BBC04821	BBC04873	BBC04876
	3/4 HP	BBC05853	BBC05821	BBC05873	BBC05876
	1 HP	BBC06853	BBC06821	BBC06873	BBC06876
	1 1/2 HP	BBC07858	BBC07821	BBC07878	BBC07876
	2 HP	BBC08854	BBC08821	BBC08874	BBC08876
	3 HP	BBC09854	BBC09821	BBC09874	BBC09876

**NOTE:** For motor pricing see end suction price booklet.