

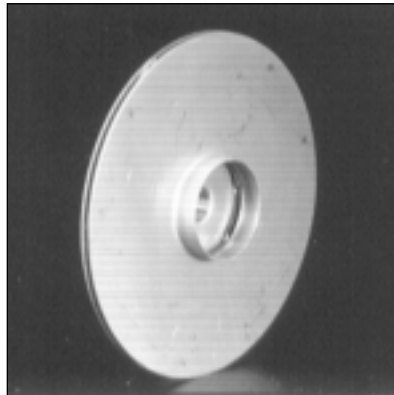
Repair Parts

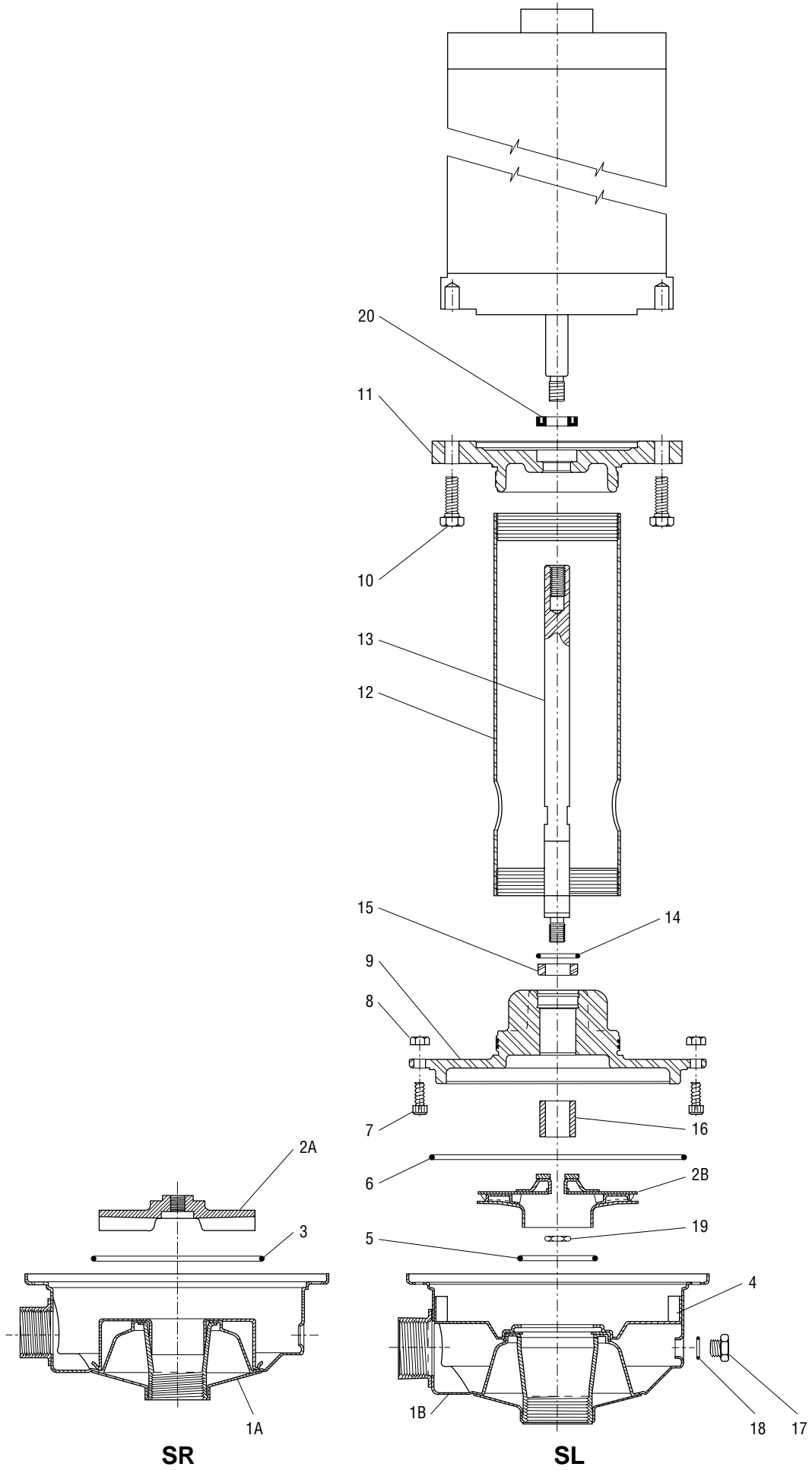
MODEL



NPV Vertically Immersed Stainless Steel End Suction Pump

Effective January, 1996





Bill of Material							
Item	Description	Material	Quantity	Repair Parts Order No.			
SR ONLY	1A	Casing, pump SR	AISI 304 SS	1	1SR		
	2A	Impeller (open)	AISI 316 SS	1	1L499		
					2K562 (3.00)		
					2K561 (3.25)		
					2K560 (3.50)		
					2K559 (3.75)		
					2K558 (4.00)		
					2K557 (4.31)		
3A	O-ring, internal casing	Viton	1	5L109			
3B	O-ring, internal casing	EPR		5K252			
SL ONLY	1B	Casing, pump SL	AISI 304 SS	1	1SL 1L81	2SL 1L82	3SL 1L83
	2B	Impeller (closed)	AISI 304 SS	1	2L59 (4.06)	2L50 (3.88)	2L55 (3.63)
					2L45 (4.44)	2L51 (4.25)	2L56 (4.06)
					2L42 (4.75)	2L52 (4.62)	2L57 (4.38)
					2L46 (5.19)	2L53 (4.88)	2L58 (4.62)
					2L44 (5.75)	2L54 (5.06)	2L49 (4.75)
					2L47 (6.13)	2L48 (5.25)	2L701 (5.00)
					–	2L699 (5.50)	2L702 (5.38)
	–	2L700 (5.94)	–				
	4	Guidevane	AISI 304 SS	1	3L23	3L24	3L25
5A	O-ring, impeller	Viton	1	5L75	5L76	5L76	
5B	O-ring, impeller	EPR		5L81	5L82	5L82	
COMMON	6A	O-ring, casing	Viton	1	5K206		
	6B	O-ring, casing	EPR		5K193		
	7	¼ - 20NC – 2A x .50 long socket head cap screw	AISI 304 SS	8	13K268		
	8	¼-20NC hex nut	AISI 304 SS	8	13K269		
	9	Pump mounting plate	AISI 303 SS	1	1L502		
	10	⅜ - 16NC – 2A x 1.0 long hex head bolt	plated steel	4	13K194		
	11	Motor mounting plate	Cast iron	1	1L503		
	12	Tube, support, 14 inch	AISI 304 SS	1	6K117		
		Tube, support, 24 inch			6K123		
	13	Shaft, 14 inch	AISI 304 SS	1	4K417		
		Shaft, 24 inch			4K428		
	14	Snap ring	Stainless steel	1	4K419		
	15	Bushing	Nitronic 60 stainless	1	4K416		
	16A	Bearing	Viton	1	7K474		
	16B	Bearing	Carbon (CTI 25)		4K418		
	17	Plug, drain and vent	AISI 304 SS	2	6L3		
	18A	O-ring, drain and vent plug	Viton	1	5L99		
	18B	O-ring, drain and vent plug	EPR		5L80		
	19	Nut, impeller	300 Series SS	1	13K6		
	20	Seal, u-cup	Teflon	1	10K73		

